

Title	Triphahn Center, 1685 West Higgins Road Hoffman Estates IL 60169	09/22/2023
	by Dustin Hugen in Member District ADA Project Request	id. 44157040
	1685 West Higgins Hoffman Estates , Illinois 60169 United States 847-285-5465 dhugen@heparks.org	

Original Submission 09/22/2023

Name	Dustin Hugen
Job Title	Director of Parks, Planning & Maintenance
E-mail Address	dhugen@heparks.org
Phone Number	847-285-5465
Park District	Hoffman Estates
Project Location	Triphahn Center, 1685 West Higgins Road Hoffman Estates IL 60169
Project Status	Alteration
Project Type	Routes and Surfaces
Routes and Surfaces- select a Project Category below:	Play Surfaces
Benefits of the Project	The old preschool playground is being removed to make way for a new playground. The new playground will have ground based play and synthetic turf fall surface to allow children of all abilities the ability to gain access into the playground.
Items that will become ADA Compliant	Fall Surface - synthetic playground grass.

The project is designed or constructed, or applies human resources, to comply with:

The 2010 Standards for Accessible Design
ASTM F 1951 Standard for Accessible Playground Surfaces
Agency's ADA Transition Plan

Upload Project Related Files, Photos, Videos or Audio

[Construction_Plans_TC.pdf](#)

[Triphahn_Center_Playground_Rendering_.jpg](#)

Budget Table for ADA Related Expenses

[Budget Table.xlsx](#)

ADA Dollars Requested	74875.0
-----------------------	---------

Notes related to requested amount	The requested amount is for the new fall surface to be completed in synthetic playground grass.
-----------------------------------	---

HOFFMAN ESTATES PARK DISTRICT TRIPHAHN PLAYGROUND

1685 W. HIGGINS ROAD
HOFFMAN ESTATES, ILLINOIS 60169



SITE LOCATION MAP (N.T.S.)

INDEX OF SHEETS

- C0.0 Civil Engineering Cover Sheet
- C1.1 Site Demolition Plan
- C2.1 Site Geometry and Utility Plan
- C3.1 Site Grading and Paving Plan
- C4.1 Civil Details

SURVEY PROVIDED BY:

Plot of Survey and Topography Provided By Gentile and Associates For Eriksson Engineering Associates On April 20, 2023. Job Number 23-22651

J.U.L.I.E.

Note: The exact location of all utilities shall be verified by the contractor prior to construction activities. For utility locations call: J.U.L.I.E. 1 (800) 892-0123

PROJECT BENCHMARKS

Control No. 1
Description: Cross Cut In Concrete Located On The East Side Of The 1 Story Brick & Pre-Fab Concrete Building No. 1685, South End Of Drop Off And Pick Up At Triphahn Community Center
N 1961617.386
E 1041985.662
Elev = 814.67

Control No. 2
Description: Cross Cut In Concrete Walk Located On The East Side Of 1 Story Brick & Pre-Fab Building No. 1685 North End Of Drop Off And Pick Up At Triphahn Community Center (South Side Of Detention Pond)
N 1961715.35
E 1042019.414
Elev: 815.24



**ERIKSSON
ENGINEERING
ASSOCIATES, LTD.**

145 COMMERCE DRIVE, SUITE A
GRAYSLAKE, ILLINOIS 60030
PHONE (847) 223-4804
FAX (847) 223-4864
EMAIL INFO@EEA-LTD.COM
PROFESSIONAL DESIGN FIRM
LICENSE NO. 184-003220
EXPIRES: 04/30/2025

**HOFFMAN ESTATES PD
TRIPHAHN PLAYGROUND
1685 W HIGGINS ROAD
HOFFMAN ESTATES, ILLINOIS**

Reserved for Seal:

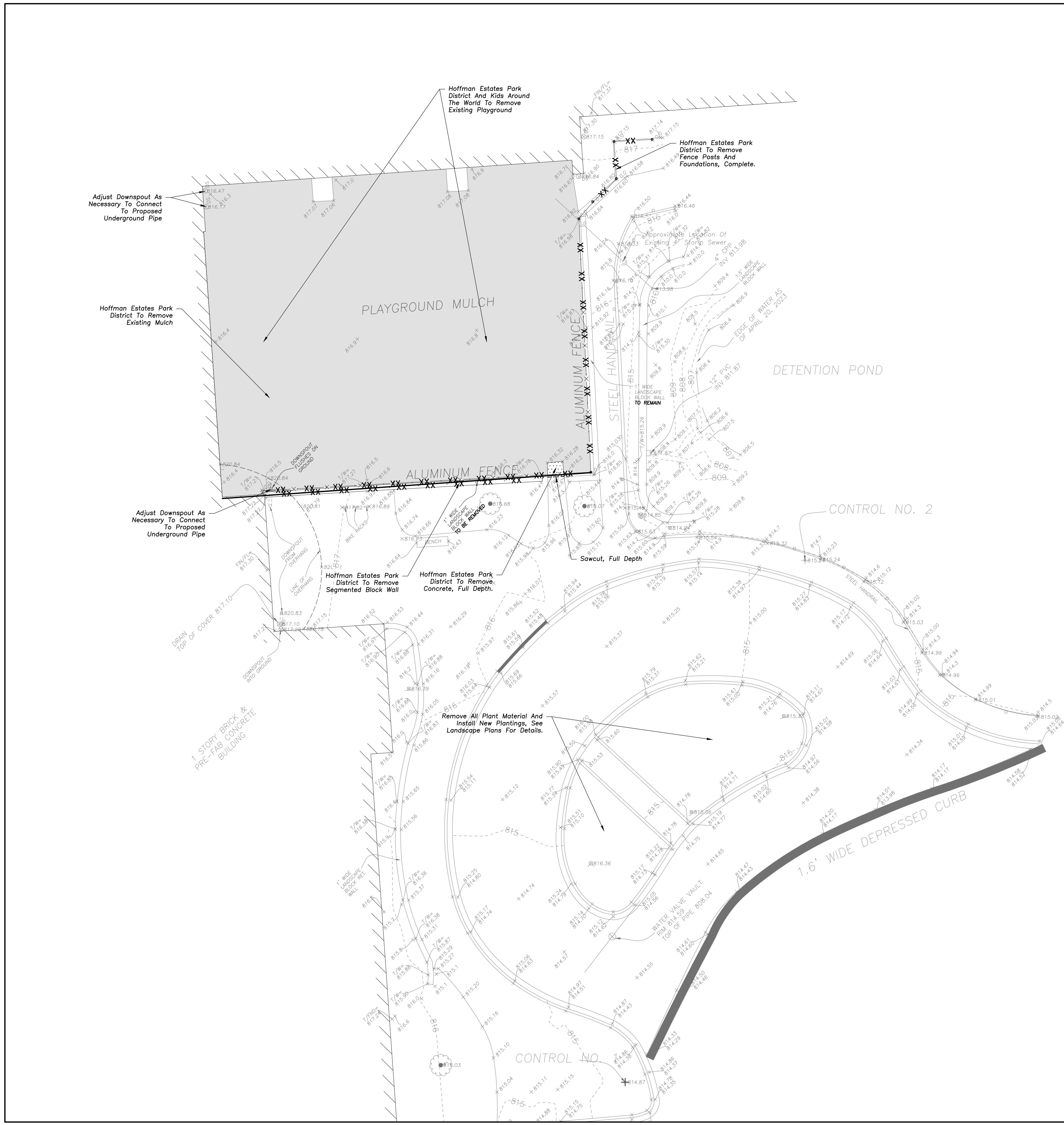
No.	Date	Description

© ERIKSSON ENGINEERING ASSOCIATES, LTD. 2023
THIS PLAN & DESIGN ARE THE PROPERTY OF ERIKSSON ENGINEERING ASSOCIATES, LTD.
NO REPRODUCTION OR USE OF ANY PART OF THIS PLAN IS PERMITTED WITHOUT THE WRITTEN
CONSENT OF ERIKSSON ENGINEERING ASSOCIATES, LTD.

Design By: NH	Approved By: BA	Date: 09/01/23
------------------	--------------------	-------------------

Sheet Title:
**CIVIL
ENGINEERING
COVER
SHEET**

Sheet No:
C0.0



DEMOLITION LEGEND

- Mulch Removal
- Concrete Removal, Full Depth
- Pavement Sawcut
- Wall/Fence Removal

DEMOLITION NOTES

1. Keep All Streets Free and Clear of Construction Related Dirt/Dust/Debris.
2. Coordinate Existing Utility Removal with Local Authorities and Utility Companies Having Jurisdiction.
3. The Existing Building is to Remain Operational During Construction. Therefore, the Temporary Relocation of All Necessary Utilities Serving the Existing Building Shall Be Coordinated Prior to the Commencement of Construction Operations.
4. All Sawcutting Shall be Full Depth to Provide a Clean Edge to Match New Construction. Match Existing Elevations at Points of Connection for New and Existing Pavement, Curb, Sidewalks, etc. All Sawcut Locations Shown are Approximate and May Be Field Adjusted to Accommodate Conditions, Joints, Material Type, etc. Remove Minimum Amount Necessary for Installation of Proposed Improvements.
5. Provide and Maintain All Necessary Traffic Control and Safety Measures Required During Demolition and Construction Operations Within or Near the Public Roadway.
6. Perform Tree Pruning in All Locations Where Proposed Pavement And/Or Utility Installation Encroach Within The Existing Drip Line of Trees To Remain. All Trenching Within The Drip Line of Existing Trees To Remain Shall Be Done Radially Away From Trunk If Roots In Excess Of 1" Diameter Are Exposed. Roots Must Be Cut By Reputable Tree Pruning Service Prior To Any Transverse Trenching. Obtain Approval Of The Architect Prior to Operations For A Variance From This Procedure.
7. Coordinate Tree Removal with Landscape Architect. All Trees To Be Removed Shall Be Removed in Their Entirety and Stumps Shall Be Ground to Proposed Subgrade. Use As Mulch for Proposed Landscaping Where Applicable and Acceptable to Architect.
8. Provide Tree Protection Fencing Prior To Construction Operations. Maintain Throughout Construction.

SURVEY PROVIDED BY:

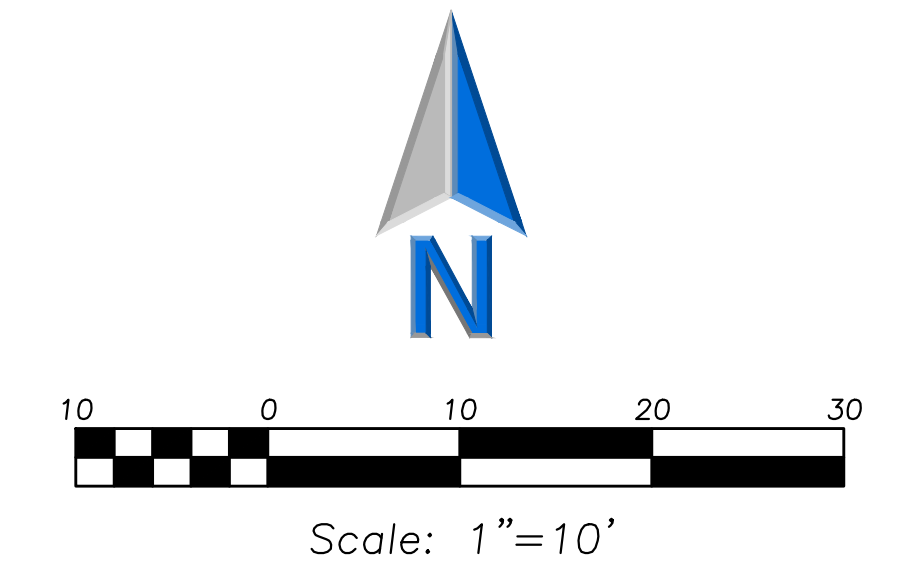
Plot of Survey and Topography Provided by Gentile and Associates For Eriksson Engineering Associates on April 20, 2023. Job Number 23--22651

PROJECT BENCHMARKS

- Control No. 1
 Description: Cross Cut in Concrete Located On The East Side Of The 1 Story Brick & Pre-Fab Concrete Building No. 1685, South End Of Drop Off And Pick Up At Triphahn Community Center.
 N 1961617.386
 E 1041985.662
 Elev = 814.87
- Control No. 2
 Description: Cross Cut in Concrete Walk Located On The East Side Of 1 Story Brick & Pre-Fab Building No. 1685 North End Of Drop Off And Pick Up At Triphahn Community Center (South Side Of Detention Pond)
 N 1961715.35
 E 1042019.414
 Elev: 815.24

J.U.L.I.E.

Note: The exact location of all utilities shall be verified by the contractor prior to construction activities. For utility locations call: J.U.L.I.E. 1 (600) 892-0123



LEGEND

- | EXISTING | PROPOSED |
|----------|--------------------------------------|
| | Manhole |
| | Catch Basin |
| | Inlet |
| | Area Drain |
| | Clean Out |
| | Flared End Section |
| | Storm Sewer |
| | Sanitary Sewer |
| | Combined Sewer |
| | Water Main |
| | Gas Line |
| | Overhead Wires |
| | Electrical Cable (Buried) |
| | Telephone Line |
| | Fire Hydrant |
| | Valve Vault |
| | Buffalo Box |
| | Downspout |
| | Bollard |
| | Gas Valve |
| | Gas Meter |
| | Electric Meter |
| | ComEd Manhole |
| | Hand Hole |
| | Light Pole |
| | Light Pole w/ Mast Arm |
| | Utility Pole |
| | Telephone Pedestal |
| | Telephone Manhole |
| | Sign |
| | Fence |
| | Accessible |
| | Parking Stall |
| | Curb & Gutter |
| | Depressed Curb |
| | Curb Elevation |
| | Gutter Elevation |
| | Pavement Elevation |
| | Sidewalk Elevation |
| | Ground Elevation |
| | Top of Retaining Wall Elevation |
| | Swale |
| | Contour Line |
| | Deciduous Tree |
| | Coniferous Tree |
| | Brushline |
| | Tree Protection Fencing at Drip Line |

GENERAL NOTES

1. The Location of Existing Underground Utilities, Such as Watermains, Sewers, Gas Lines, Etc., As Shown On The Plans, Has Been Determined From The Best Available Information and is Given For the Convenience of The Contractor. However, The Owner and The Engineer Do Not Assume Responsibility In The Event That During Construction, Utilities Other Than Those Shown May Be Encountered, and That The Actual Location of Those Which Are Shown May Be Different From The Location As Shown On The Drawings. Contact Engineer Immediately If Surface and/or Subsurface Features Are Different Than Shown On The Drawings.
2. Notify The Engineer Without Delay of Any Discrepancies Between the Drawings and Existing Field Conditions.
3. Contractor Shall Provide Private Utility Locating Services For the Project Area.
4. Notify The Owner, Engineer and The Village of Hoffman Estates A Minimum of 48 Hours In Advance of Performing Any Work.
5. All Areas, On or Off Site, Disturbed During Construction Operations and Not Part of the Work as Shown Hereon Shall Be Restored To Original Condition to the Satisfaction of the Owner at No Additional Cost to the Owner. It is incumbent Upon Contractor to Show That Damaged Areas Were Not Disturbed by Construction Operations.
6. These Drawings Assume That The Contractor Will Utilize An Electronic Drawing File (DWG) to Stake All Site Improvements Accordingly. Contractor Shall Re-Establish Horizontal Control. Horizontal Control Points Not Provided.
7. No Person May Utilize The Information Contained Within These Drawings Without Written Approval From Eriksson Engineering Associates, Ltd.
8. The Engineer Is Furnishing These Drawings For Construction Purposes As A Convenience To The Owner, Architect, Surveyor, or Contractor. Prior To The Use of These Drawings For Construction Purposes, The User Of This Media Shall Verify All Dimensions And Locations Of Buildings With The Foundation Drawings And Architectural Site Plan, and Coordinate All Dimensions and Locations of All Site Items. If Conflicts Exist The User Of This Information Shall Contact The Engineer Immediately.
9. The Illinois Department Of Transportation Standard Specifications For Road And Bridge Construction Latest Edition, And All Addenda Thereto, Shall Govern The Earthwork And Paving Work Under This Contract Unless Noted Otherwise.

ERIKSSON ENGINEERING ASSOCIATES, LTD.
 145 COMMERCE DRIVE, SUITE A
 GRAYSLAKE, ILLINOIS 60030
 PHONE: (847) 223-4804
 FAX: (847) 223-4864
 EMAIL: INFO@EEA-LTD.COM
 PROFESSIONAL DESIGN FIRM
 LICENSE NO. 184-003220
 EXPIRES: 04/30/2025

**HOFFMAN ESTATES PD
 TRIPHAHN PLAYGROUND**
 1685 W HIGGINS ROAD
 HOFFMAN ESTATES, ILLINOIS

Reserved for Seal:

No.	Date	Description

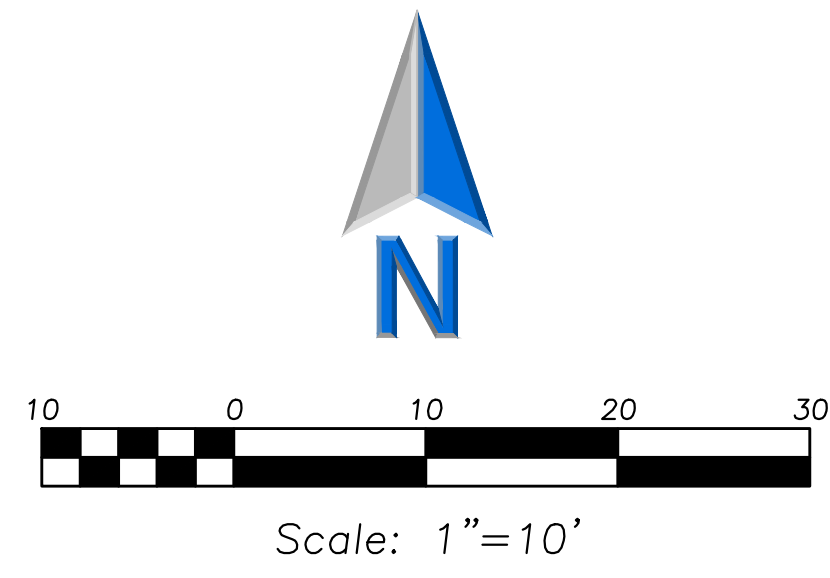
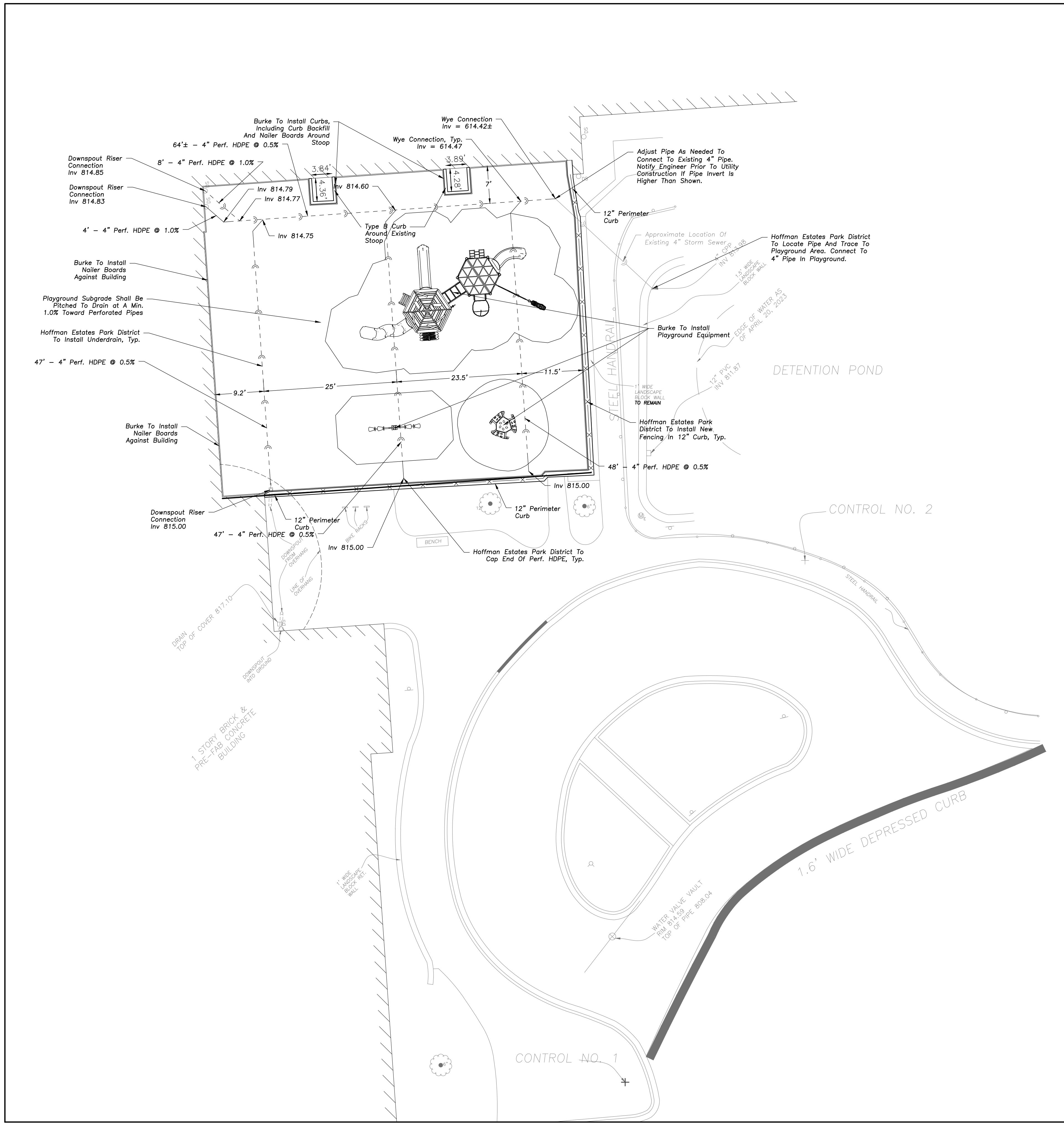
© ERIKSSON ENGINEERING ASSOCIATES, LTD. 2023
 THIS PLAN & SPEC. ARE THE PROPERTY OF ERIKSSON ENGINEERING ASSOCIATES, LTD.
 NO REPRODUCTION OF ANY KIND IS TO BE MADE WITHOUT THE WRITTEN CONSENT OF ERIKSSON ENGINEERING ASSOCIATES, LTD.

Design By: NH Approved By: BA Date: 09/01/23

Sheet Title:
SITE DEMOLITION PLAN

Sheet No:
C1.1

EEA - P:\23121 - Hoffman Estates Park District - Triphahn Playground\Drawings\Site Plan - Triphahn Playground.dwg
 Plotted: 9/01/23 @ 11:35am By: bohring



PAVING & SURFACE LEGEND

- Synthetic Turf

GEOMETRY NOTES

1. All Dimensions Contained Herein Reference Back Of Curb, Face Of Retaining Wall, Edge Of Pavement, Center Of Structure And Outside Face Of Building Foundation Unless Otherwise Noted.

UTILITY NOTES

1. Utility Service Lines as Shown Hereon are Approximate. Coordinate The Exact Locations With The Plumbing Drawings. Coordinate The Locations With The Plumbing Contractor and/or the Owner's Construction Representative Prior to Installation of Any New Utilities.
2. Field Verify Invert & Locations of Existing Utility Mains Prior to Installing Any On-Site Utilities or Structures. All Elevations and Inverts Referencing Said Utility Shall Be Field Verified Prior to Installation of Any New Structures or Utilities, and Adjustments Shall Be Made as Necessary. Contact Engineer Prior to Installation if Discrepancy Exists With These Drawings.
3. Coordinate the Relocation of Any Utilities Encountered and Replacement of Any Utilities Damaged Within Influence Zone of New Construction. Contact Engineer if The Existing Utilities Vary Appreciably From The Plans.
4. Protection of water supplies shall be as described in Section 370.350 of the Illinois Recommended Standards for Sewage Works or Section 41-2.01 of the Standard Specifications for Water and Sewer Main Construction in Illinois, latest edition.
5. Clean Out All Existing and Proposed Storm Inlets and Catch Basins at the Completion of Construction.
6. The "Standard Specifications for Water and Sewer Main Construction in Illinois", Current Edition Shall Govern Work Where Applicable.
7. North Shore Sanitary District: The Ordinances of The NSSD Relating To Sewers And Sewer Systems Are In Effect. The Ordinances Give The District The Right To Inspect The Work Under Construction To See That It Is Being Performed In Accordance With The Approved Plans, Specifications, and Permit. The Contractor Shall Give The District Twenty-Four (24) Hours Notice Prior to Starting Construction.

GRADING NOTES

1. The Grading and Construction of Proposed Improvements Shall Be Done In A Manner Which Will Allow For Positive Drainage, and Not Cause Ponding of Stormwater on the Surface of Proposed Improvements.
2. All Landscaped Areas Disturbed by Construction Shall Be Respread With 6 Inches (Min.) to 12 Inches (Max.) Topsoil and Hydroseeded Unless Noted Otherwise On The Landscape Drawings.

SURVEY PROVIDED BY:

Plot of Survey and Topography Provided by Gentile and Associates For Eriksson Engineering Associates On April 20, 2023. Job Number 23--22651

PROJECT BENCHMARKS

- Control No. 1
 Description: Cross Cut In Concrete Located On The East Side Of The 1 Story Brick & Pre-Fab Concrete Building No. 1685, South End Of Drop Off And Pick Up At Triphahn Community Center.
 N 1961617.386
 E 1041985.662
 Elev = 814.87
- Control No. 2
 Description: Cross Cut In Concrete Walk Located On The East Side Of 1 Story Brick & Pre-Fab Building No. 1685 North End Of Drop Off And Pick Up At Triphahn Community Center (South Side Of Detention Pond)
 N 1961715.35
 E 1042019.414
 Elev: 815.24

J.U.L.I.E.

Note: The exact location of all utilities shall be verified by the contractor prior to construction activities. For utility locations call: J.U.L.I.E. 1 (600) 892-0123

LEGEND

EXISTING	PROPOSED

GENERAL NOTES

1. The Location of Existing Underground Utilities, Such As Watermains, Sewers, Gas Lines, Etc., As Shown On The Plans, Has Been Determined From The Best Available Information and is Given For The Convenience of The Contractor. However, The Owner and The Engineer Do Not Assume Responsibility In The Event That During Construction, Utilities Other Than Those Shown May Be Encountered, and That The Actual Location of Those Which Are Shown May Be Different From The Location As Shown On The Drawings. Contact Engineer Immediately if Surface and/or Subsurface Features Are Different Than Shown On The Drawings.
2. Notify The Engineer Without Delay of Any Discrepancies Between the Drawings and Existing Field Conditions.
3. Contractor Shall Provide Private Utility Locating Services for the Project Area.
4. Notify The Owner, Engineer and The Village of Hoffman Estates A Minimum of 48 Hours In Advance of Performing Any Work.
5. All Areas, On or Off Site, Disturbed During Construction Operations and Not Part of the Work as Shown Hereon Shall Be Restored To Original Condition to the Satisfaction of the Owner at No Additional Cost to the Owner. It is Incumbent Upon Contractor to Show That Damaged Areas Were Not Disturbed by Construction Operations.
6. These Drawings Assume That The Contractor Will Utilize An Electronic Drawing File (DWG) to Stake All Site Improvements Accordingly. Contractor Shall Re-Establish Horizontal Control. Horizontal Control Points Not Provided.
7. No Person May Utilize The Information Contained Within These Drawings Without Written Approval From Eriksson Engineering Associates, Ltd.
8. The Engineer Is Furnishing These Drawings For Construction Purposes As A Convenience To The Owner, Architect, Surveyor, or Contractor. Prior To The Use of These Drawings For Construction Purposes, The User Of This Media Shall Verify All Dimensions And Locations Of Buildings With The Foundation Drawings And Architectural Site Plan, and Coordinate All Dimensions and Locations of All Site Items. If Conflicts Exist The User Of This Information Shall Contact The Engineer Immediately.
9. The Illinois Department Of Transportation Standard Specifications For Road And Bridge Construction Latest Edition, And All Addenda Thereto, Shall Govern The Earthwork And Paving Work Under This Contract Unless Noted Otherwise.

ERIKSSON ENGINEERING ASSOCIATES, LTD.
 145 COMMERCE DRIVE, SUITE A
 GRAYSLAKE, ILLINOIS 60030
 PHONE: (847) 223-4804
 FAX: (847) 223-4864
 EMAIL: INFO@EEA-LTD.COM
 PROFESSIONAL DESIGN FIRM
 LICENSE NO. 184-003220
 EXPIRES: 04/30/2025

**HOFFMAN ESTATES PD
 TRIPHAHN PLAYGROUND**
 1685 W HIGGINS ROAD
 HOFFMAN ESTATES, ILLINOIS

Reserved for Seal:

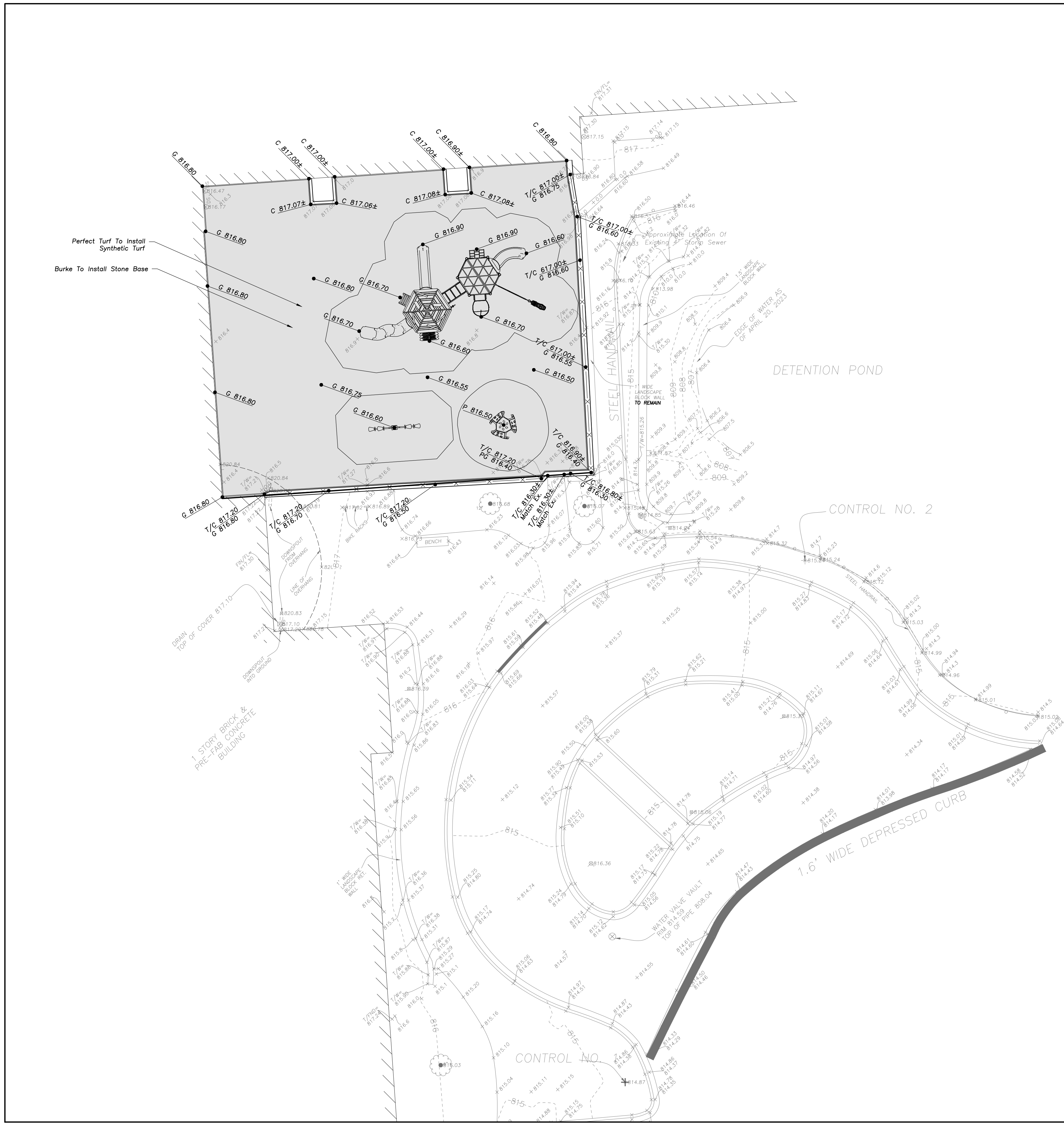
No.	Date	Description

© ERIKSSON ENGINEERING ASSOCIATES, LTD. 2023
 THIS PLAN & DESIGN ARE THE PROPERTY OF ERIKSSON ENGINEERING ASSOCIATES, LTD.
 NO REPRODUCTION OR USE IS PERMITTED WITHOUT THE WRITTEN CONSENT OF ERIKSSON ENGINEERING ASSOCIATES, LTD.

Design By: NH Approved By: BA Date: 09/01/23

Sheet Title:
SITE GEOMETRY AND UTILITY PLAN

Sheet No:
C2.1



PAVING & SURFACE LEGEND

Synthetic Turf. Details By Others

GEOMETRY NOTES

1. All Dimensions Contained Herein Reference Back Of Curb, Face Of Retaining Wall, Edge Of Pavement, Center Of Structure And Outside Face Of Building Foundation Unless Otherwise Noted.

UTILITY NOTES

- Utility Service Lines as Shown Hereon are Approximate. Coordinate The Exact Locations With The Plumbing Drawings. Coordinate The Locations With The Plumbing Contractor and/or the Owner's Construction Representative Prior to Installation of Any New Utilities.
- Field Verify Invert & Locations of Existing Utility Mains Prior to Installing Any On-Site Utilities or Structures. All Elevations and Inverts Referencing Said Utility Shall Be Field Verified Prior to Installation of Any New Structures or Utilities, and Adjustments Shall Be Made as Necessary. Contact Engineer Prior to Installation if Discrepancy Exists With These Drawings.
- Coordinate the Relocation of Any Utilities Encountered And Replacement of Any Utilities Damaged Within Influence Zone of New Construction. Contact Engineer if The Existing Utilities Vary Appreciably From The Plans.
- Protection of water supplies shall be as described in Section 370.350 of the Illinois Recommended Standards for Sewage Works or Section 41-2.01 of the Standard Specifications for Water and Sewer Main Construction in Illinois, latest edition.
- Clean Out All Existing and Proposed Storm Inlets and Catch Basins at the Completion of Construction.
- The "Standard Specifications for Water and Sewer Main Construction in Illinois", Current Edition Shall Govern Work Where Applicable.
- North Shore Sanitary District: The Ordinances Of The NSSD Relating To Sewers And Sewer Systems Are In Effect. The Ordinances Give The District The Right To Inspect The Work Under Construction To See That It Is Being Performed In Accordance With The Approved Plans, Specifications, And Permit. The Contractor Shall Give The District Twenty-Four (24) Hours Notice Prior To Starting Construction.

GRADING NOTES

- The Grading and Construction of Proposed Improvements Shall Be Done In A Manner Which Will Allow For Positive Drainage, and Not Cause Ponding of Stormwater on the Surface of Proposed Improvements.
- All Landscaped Areas Disturbed By Construction Shall Be Respread With 6 Inches (Min.) to 12 Inches (Max.) Topsoil and Hydroseeded Unless Noted Otherwise On The Landscape Drawings.

SURVEY PROVIDED BY:

Plot of Survey and Topography Provided by Gentile and Associates For Eriksson Engineering Associates on April 20, 2023. Job Number 23--22651

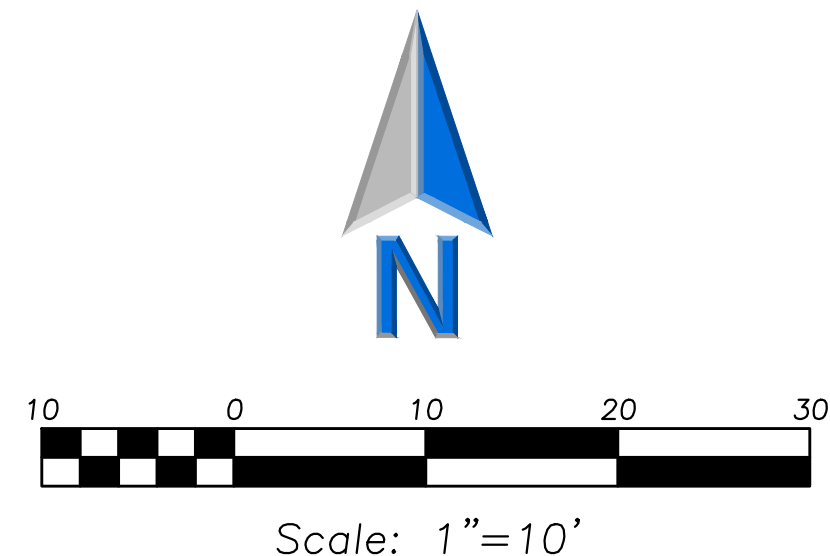
PROJECT BENCHMARKS

Control No. 1
 Description: Cross Cut In Concrete Located On The East Side Of The 1 Story Brick & Pre-Fab Concrete Building No. 1685, South End Of Drop Off And Pick Up At Triphahn Community Center.
 N 1961617.386
 E 1041985.662
 Elev = 814.87

Control No. 2
 Description: Cross Cut In Concrete Walk Located On The East Side Of 1 Story Brick & Pre-Fab Building No. 1685 North End Of Drop Off And Pick Up At Triphahn Community Center (South Side Of Detention Pond)
 N 1961715.35
 E 1042019.414
 Elev: 815.24

J.U.L.I.E.

Note: The exact location of all utilities shall be verified by the contractor prior to construction activities. For utility locations call: J.U.L.I.E. 1 (600) 892-0123



LEGEND

EXISTING	PROPOSED

GENERAL NOTES

- The Location of Existing Underground Utilities, Such As Watermains, Sewers, Gas Lines, Etc., As Shown On The Plans, Has Been Determined From The Best Available Information and is Given For the Convenience of The Contractor. However, The Owner and The Engineer Do Not Assume Responsibility In The Event That During Construction, Utilities Other Than Those Shown May Be Encountered, and That The Actual Location of Those Which Are Shown May Be Different From The Location As Shown On The Drawings. Contact Engineer Immediately if Surface and/or Subsurface Features Are Different Than Shown On The Drawings.
- Notify The Engineer Without Delay of Any Discrepancies Between the Drawings and Existing Field Conditions.
- Contractor Shall Provide Private Utility Locating Services For the Project Area.
- Notify The Owner, Engineer and The Village of Hoffman Estates A Minimum of 48 Hours In Advance of Performing Any Work.
- All Areas, On or Off Site, Disturbed During Construction Operations and Not Part of the Work as Shown Hereon Shall Be Restored To Original Condition to the Satisfaction of the Owner at No Additional Cost to the Owner. It is incumbent Upon Contractor to Show That Damaged Areas Were Not Disturbed By Construction Operations.
- These Drawings Assume That The Contractor Will Utilize An Electronic Drawing File (DWG) to Stake All Site Improvements Accordingly. Contractor Shall Re-Establish Horizontal Control. Horizontal Control Points Not Provided.
- No Person May Utilize The Information Contained Within These Drawings Without Written Approval From Eriksson Engineering Associates, Ltd.
- The Engineer Is Furnishing These Drawings For Construction Purposes As A Convenience To The Owner, Architect, Surveyor, or Contractor. Prior To The Use of These Drawings For Construction Purposes, The User Of This Media Shall Verify All Dimensions and Locations Of Buildings With The Foundation Drawings And Architectural Site Plan, and Coordinate All Dimensions and Locations of All Site Items. If Conflicts Exist The User Of This Information Shall Contact The Engineer Immediately.
- The Illinois Department Of Transportation Standard Specifications For Road And Bridge Construction Latest Edition, And All Addenda Thereto, Shall Govern The Earthwork And Paving Work Under This Contract Unless Noted Otherwise.

ERIKSSON ENGINEERING ASSOCIATES, LTD.
 145 COMMERCE DRIVE, SUITE A
 GRAYSLAKE, ILLINOIS 60030
 PHONE: (847) 223-4804
 FAX: (847) 223-4864
 EMAIL: INFO@EEA-LTD.COM
 PROFESSIONAL DESIGN FIRM
 LICENSE NO. 184-003220
 EXPIRES: 04/30/2025

**HOFFMAN ESTATES PD
 TRIPHAHN PLAYGROUND**
 1685 W HIGGINS ROAD
 HOFFMAN ESTATES, ILLINOIS

Reserved for Seal:

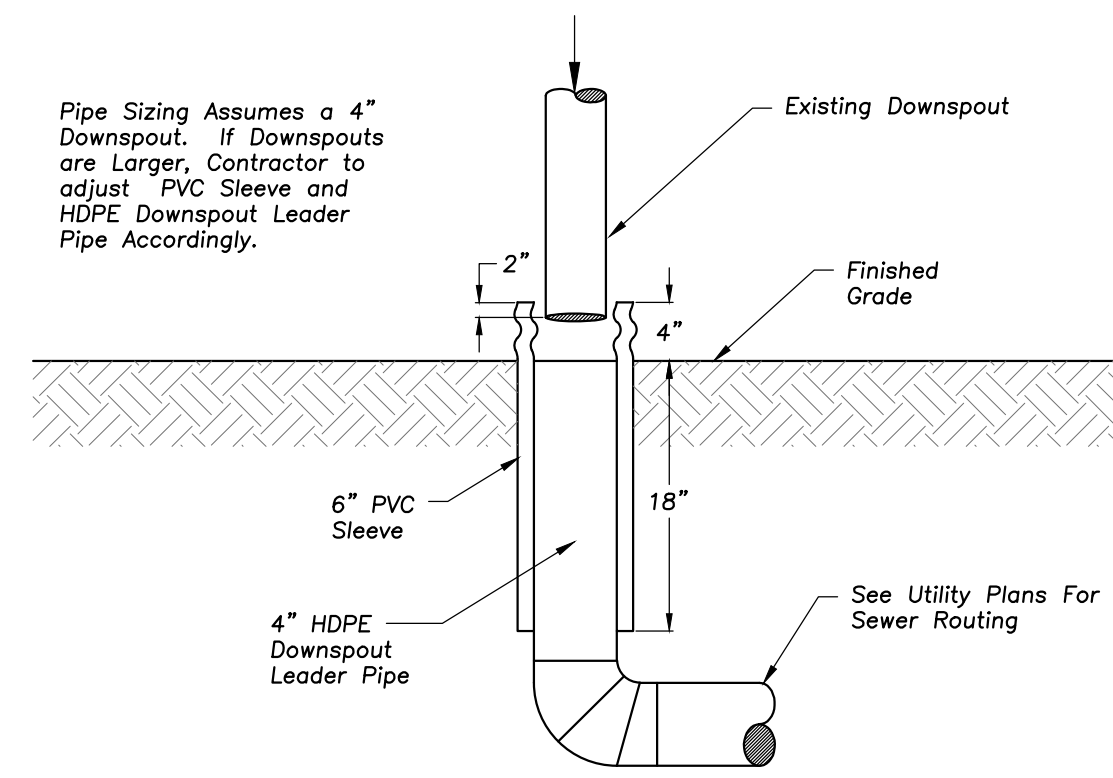
No.	Date	Description

© ERIKSSON ENGINEERING ASSOCIATES, LTD. 2023
 THIS PLAN & DESIGN ARE THE PROPERTY OF ERIKSSON ENGINEERING ASSOCIATES, LTD.
 NO REPRODUCTION OF ANY KIND IS TO BE MADE WITHOUT THE WRITTEN CONSENT OF ERIKSSON ENGINEERING ASSOCIATES, LTD.

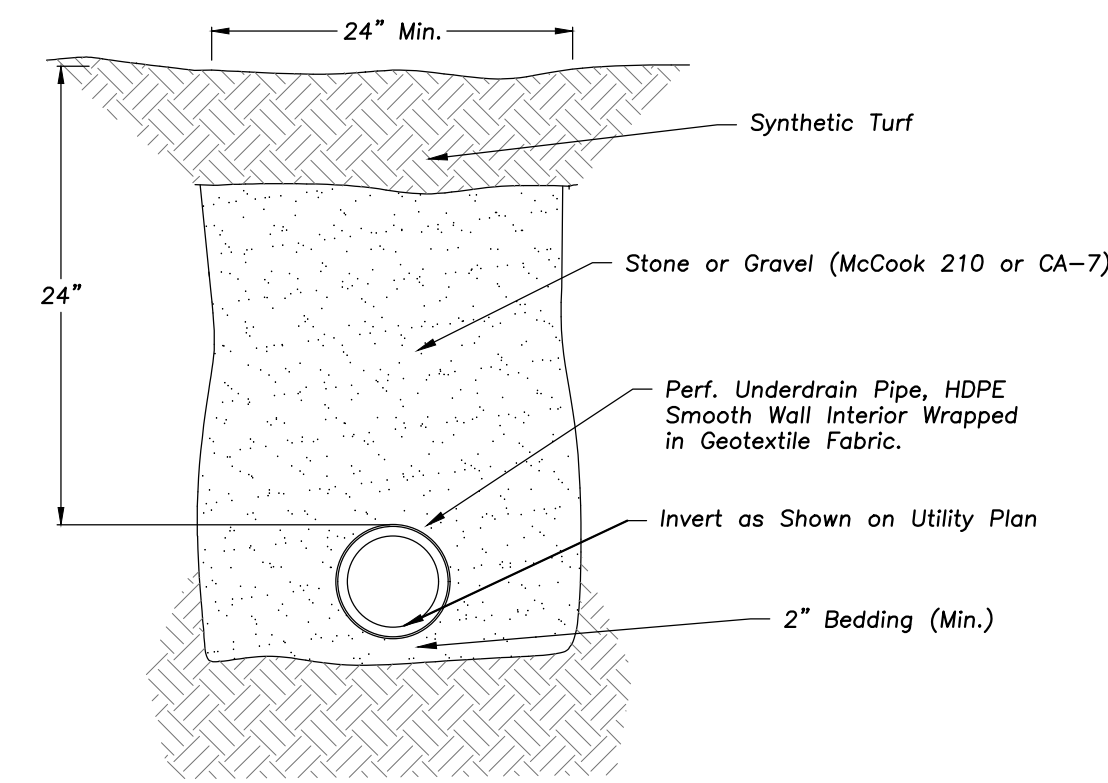
Design By: NH Approved By: BA Date: 09/01/23

Sheet Title:
SITE GRADING AND PAVING PLAN

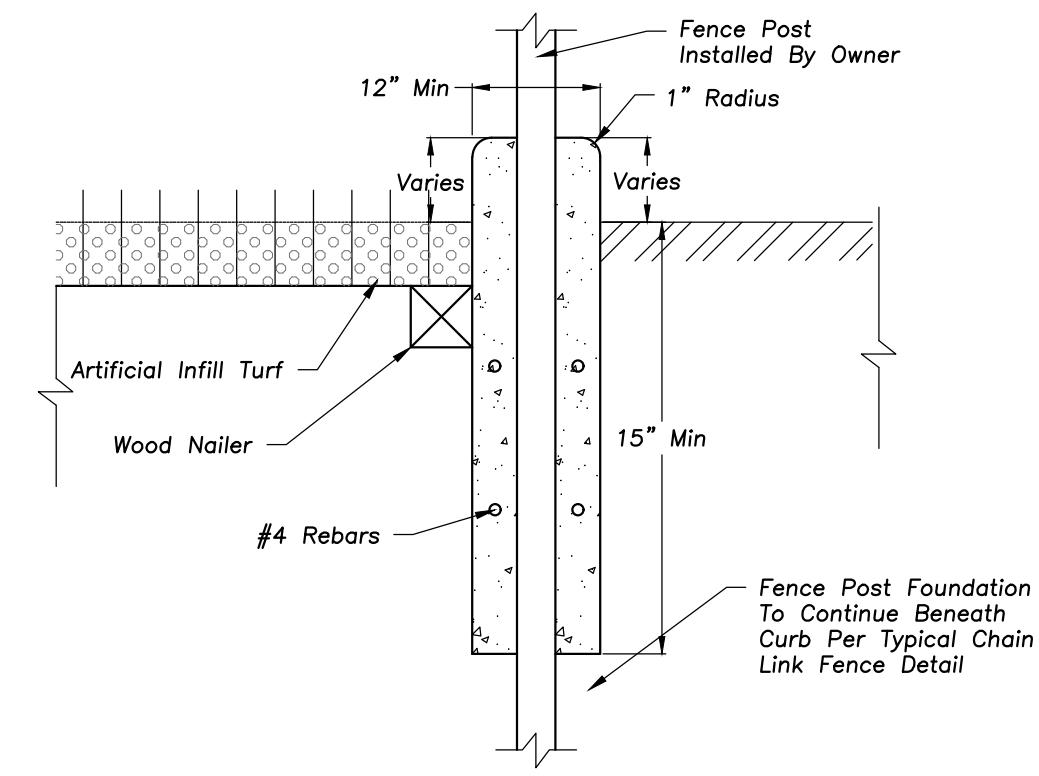
Sheet No:
C3.1



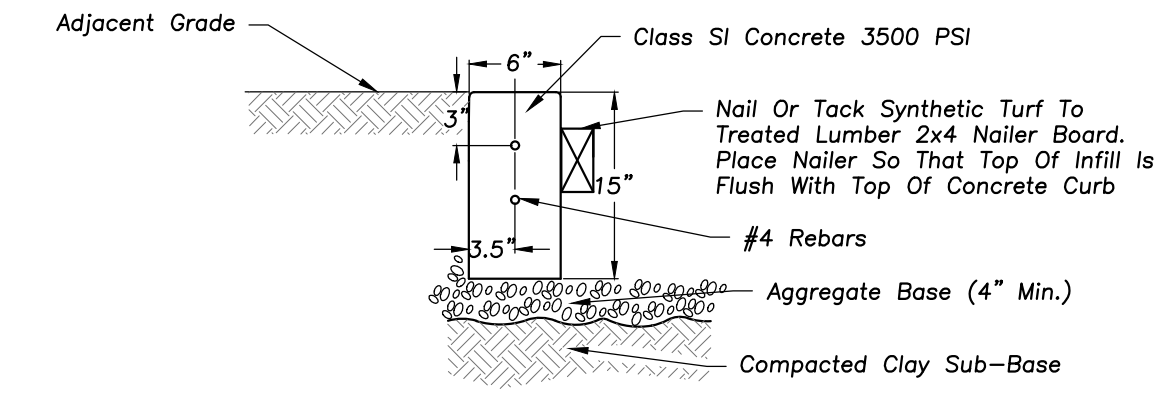
DOWNSPOUT CONNECTION



PIPE UNDERDRAIN



PERIMETER CURB WITH FENCE NTS



MODIFIED TYPE B CURB

Notes:
1. Maximum Contraction/Control joint spacing shall be (20') twenty feet.



**ERIKSSON
ENGINEERING
ASSOCIATES, LTD.**

145 COMMERCE DRIVE, SUITE A
GRAYSLAKE, ILLINOIS 60030
PHONE: (847) 223-4804
FAX: (847) 223-4864
EMAIL: INFO@EEA-LTD.COM
PROFESSIONAL DESIGN FIRM
LICENSE NO. 184-003220
EXPIRES: 04/30/2025

**HOFFMAN ESTATES PD
TRIPHAWN PLAYGROUND**
1685 W HIGGINS ROAD
HOFFMAN ESTATES, ILLINOIS

Reserved for Seal:

No.	Date	Description

© ERIKSSON ENGINEERING ASSOCIATES, LTD. 2023
THIS PLAN & SPEC. ARE THE PROPERTY OF ERIKSSON ENGINEERING ASSOCIATES, LTD.
NO REPRODUCTION OR USE OF ANY PART IS PERMITTED WITHOUT THE WRITTEN
CONSENT OF ERIKSSON ENGINEERING ASSOCIATES, LTD.

Design By: **NH** Approved By: **BA** Date: **09/01/23**

Sheet Title:
**CIVIL
DETAILS**

Sheet No:
C4.1

TREE PRESERVATION NOTES

1. ANY EXISTING TREES TO BE RETAINED SHALL BE PROTECTED FROM SOIL COMPACTION AND OTHER DAMAGES THAT MAY OCCUR DURING CONSTRUCTION ACTIVITIES BY ERECTING FENCING AROUND SUCH MATERIALS AT A DISTANCE OF THE PERCEIVED CANOPY DRIP LINE OR MINIMUM 8.5' FROM THE TRUNK, WHICHEVER IS GREATER.
2. THE CONTRACTOR SHALL VERIFY THE LOCATIONS OF ALL UNDERGROUND UTILITIES PRIOR TO INITIATING PLANTING OPERATIONS. THE CONTRACTOR SHALL REPAIR/REPLACE AND UTILITY, PAVING, CURBING, ETC., WHICH IS DAMAGED DURING PLANTING AND TREE REMOVAL OPERATIONS.
3. REFER TO PLAT OF SURVEY FOR LEGAL DESCRIPTION, BOUNDARY DIMENSIONS AND EXISTING CONDITIONS.
4. CONTRACTORS MUST VERIFY ALL QUANTITIES AND OBTAIN ALL PROPER PERMITS AND LICENSES FROM THE PROPER AUTHORITIES.
5. LANDSCAPE ARCHITECT IS NOT RESPONSIBLE FOR UNSEEN SITE CONDITIONS.
6. REMOVE ALL DEAD AND DISEASED PLANT MATERIAL FROM SITE AND DISPOSE OF PROPERLY.
7. PRUNE AND FERTILIZE ALL EXISTING VEGETATION TO REMAIN ON SITE.

TREE + SHRUB PLANT SCHEDULE

TREES	BOTANICAL / COMMON NAME	COND.	SIZE	QTY
GIN AUT	GINKGO BILOBA 'AUTUMN GOLD' / AUTUMN GOLD MAIDENHAIR TREE MALE CULTIVAR	B & B	3" CAL.	1

SHRUBS	BOTANICAL / COMMON NAME	COND.	SIZE	QTY
EUO ALA	EUONYMUS ALATUS / BURNING BUSH	EXISTING		10

DECIDUOUS SHRUBS	BOTANICAL / COMMON NAME	COND.	SIZE	QTY
ARO MOR	ARONIA MELANOCARPA 'MORTON' TM / IROQUOIS BEAUTY BLACK CHOKEBERRY	B & B	24"	11
RHU GRO	RHUS AROMATICA 'GRO-LOW' / GRO-LOW FRAGRANT SUMAC	B & B	24"	29
VIB CO2	VIBURNUM CARLESII 'COMPACTUM' / COMPACT KOREANSPICE VIBURNUM	B & B	24"	14

EVERGREEN SHRUBS	BOTANICAL / COMMON NAME	COND.	SIZE	QTY
PIC NID	PICEA ABIES 'NIDIFORMIS' / BIRD'S NEST NORWAY SPRUCE	B & B	18" HT.	10
TAX TAU	TAXUS X MEDIA 'TAUNTONI' / TAUNTON'S ANGLO-JAPANESE YEW	B & B	18" HT.	6

PERENNIAL PLANT MIX SCHEDULE

PERENNIAL GROUNDCOVER A	COND.	SIZE	QTY
181 SF			
NEPETA X FAASSENII 'WALKER'S LOW' / WALKER'S LOW CATMINT	CONT., QUART	20% @ 15" oc	
PACHYSANDRA TERMINALIS 'GREEN CARPET' / GREEN CARPET JAPANESE PACHYSANDRA	CONT., QUART	20% @ 15" oc	
SALVIA X SUPERRA 'BLUE HILL' / BLUE HILL SAGE	CONT., QUART	40% @ 15" oc	
SESLERIA AUTUMNALIS / AUTUMN MOOR GRASS	CONT., QUART	20% @ 15" oc	

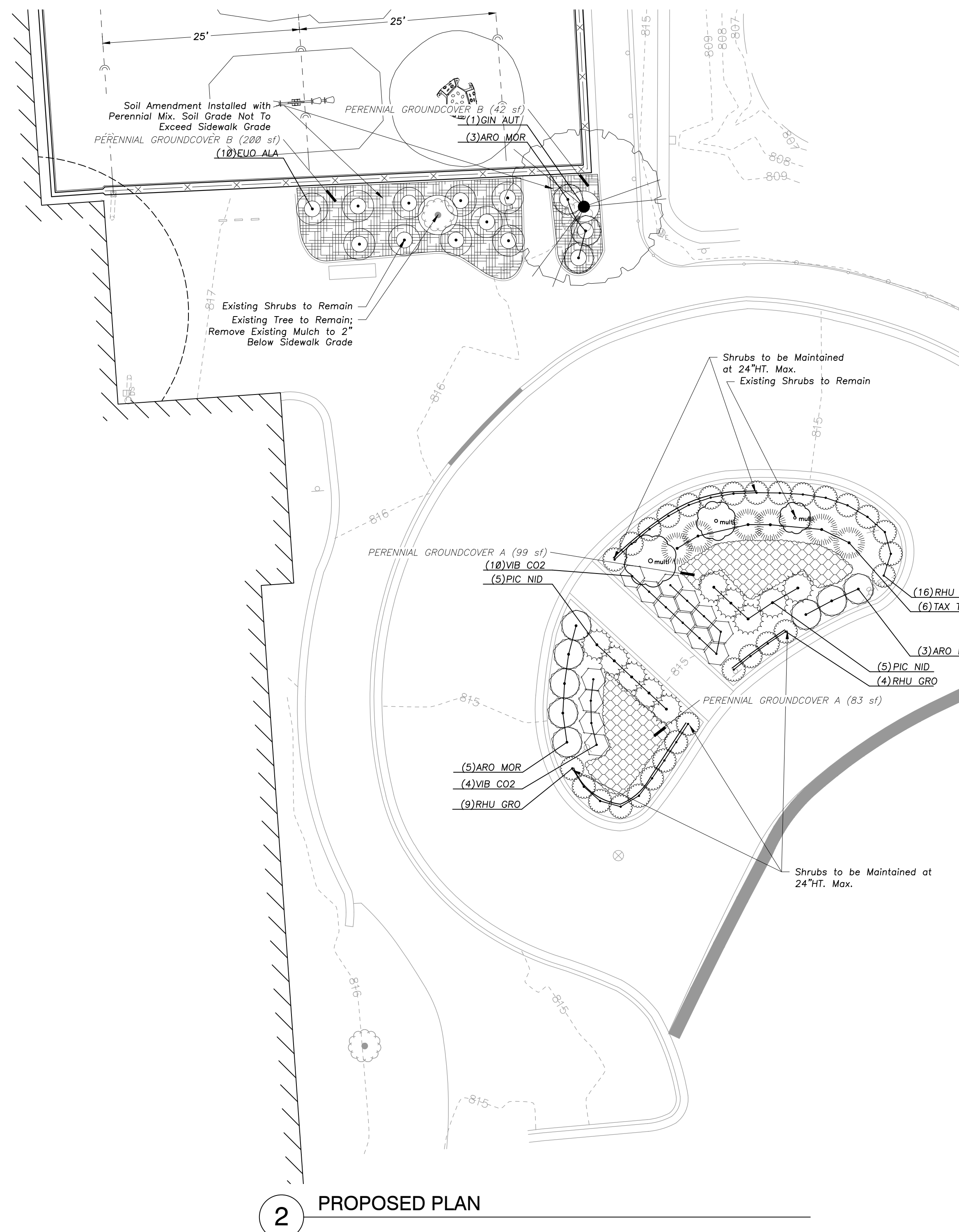
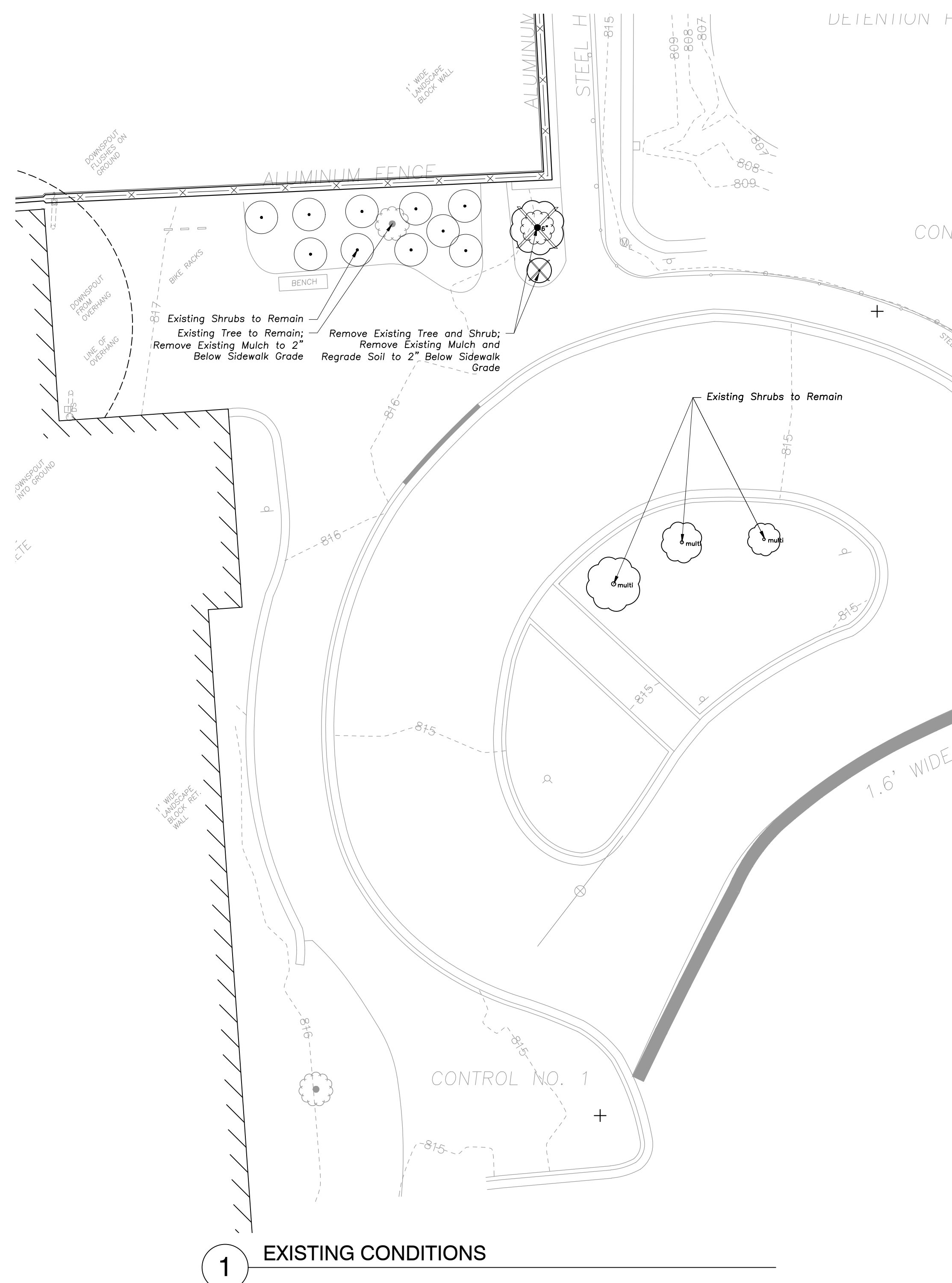
PERENNIAL GROUNDCOVER B	COND.	SIZE	QTY
242 SF			
GERANIUM MACRORRHIZUM / BIGROOT GERANIUM	CONT., QUART	20% @ 15" oc	
KALIMERIS INCISA 'BLUE STAR' / JAPANESE ASTER	CONT., QUART	20% @ 15" oc	
SPOROBOLUS HETEROLEPIS / PRAIRIE DROPS EED	CONT., QUART	60% @ 15" oc	

GENERAL NOTES

1. REFER TO PLAT OF SURVEY FOR LEGAL DESCRIPTION, BOUNDARY DIMENSIONS AND EXISTING CONDITIONS.
2. REFER TO ARCHITECTURAL PLANS FOR BUILDING MIX, SIZE AND FOOTPRINT.
3. COMPLY WITH ALL APPLICABLE FEDERAL, STATE AND LOCAL CODES AND ORDINANCES FOR ALL WORK AND OPERATIONS.
4. CONTRACTORS MUST VERIFY ALL QUANTITIES AND OBTAIN ALL PROPER PERMITS AND LICENSES FROM THE PROPER AUTHORITIES.
19. VERIFY SITE CONDITIONS BEFORE PROCEEDING WITH WORK AND REPORT ANY CONFLICTS TO ARCHITECT OF RECORD. LANDSCAPE ARCHITECT IS NOT RESPONSIBLE FOR UNSEEN SITE CONDITIONS.
20. KEEP AREAS CLEAN, NEAT AND ORDERLY AT ALL TIMES. CLEAR OFF RUBBISH AND DEBRIS. LEGALLY DISPOSE OF ALL MATERIALS REMOVED FROM THE SITE.
21. PROTECT EXISTING STRUCTURES, UTILITIES, SIDEWALKS, PAVEMENTS, FENCING, FURNISHINGS AND PLANTINGS, TREES AND LAWNS FROM DAMAGE CAUSED BY SETTLEMENT, LATERAL MOVEMENT, UNDERMINING, WASHOUTS, AND OTHER HAZARDS CREATED BY SITE WORK. IF ANY DAMAGE OCCURS, REPAIR TO THE ORIGINAL CONDITION AT NO ADDITIONAL COST.
22. COORDINATE WITH ALL OTHER TRADES.

LANDSCAPE NOTES

1. THE CONTRACTOR SHALL VERIFY THE LOCATIONS OF ALL UNDERGROUND UTILITIES PRIOR TO INITIATING PLANTING OPERATIONS. THE CONTRACTOR SHALL REPAIR/REPLACE AND UTILITY, PAVING, CURBING, ETC., WHICH IS DAMAGED DURING PLANTING OPERATIONS.
2. ALL PLANT MATERIAL ON THIS PLANTING PLAN REPRESENTS THE INTENTION AND INTENSITY OF THE PROPOSED LANDSCAPE MATERIAL. THE EXACT SPECIES AND LOCATIONS MAY VARY IN THE FIELD DO TO MODIFICATIONS IN THE SITE IMPROVEMENTS AND THE AVAILABILITY OF PLANT MATERIAL AT THE TIME OF INSTALLATION. ANY SUCH CHANGES MUST FIRST BE APPROVED BY THE CITY IN WRITING.
3. PLANT QUANTITIES SHOWN IN THE PLANT SCHEDULE ARE FOR CONVENIENCE ONLY. THE CONTRACTOR IS RESPONSIBLE FOR PROVIDING AND INSTALLING ALL MATERIALS SHOWN ON THE PLAN AND SHOULD NOT RELY ON THE PLANT SCHEDULE FOR DETERMINING QUANTITIES.
4. ALL PLANT MATERIALS SHALL BE NURSERY GROWN STOCK AND SHALL BE FREE FROM ANY DEFORMITIES, DISEASES OR INSECT DAMAGE. ANY MATERIALS WITH DAMAGED OR CROOKED/DISFIGURED LEADERS, BARK ABRASION, SUNSCALD, INSECT DAMAGE, ETC. ARE NOT ACCEPTABLE AND WILL BE REJECTED. TREES WITH MULTIPLE LEADERS WILL BE REJECTED UNLESS CALLED OUT IN THE PLANT SCHEDULE AS MULTI-STEM. NO PRUNING TO BE DONE AT THE TIME OF INSTALLATION EXCEPT FOR DEAD OR BROKEN LIMBS.
5. THE OWNER RESERVES THE RIGHT TO INSPECT ALL PLANT MATERIALS PRIOR TO INSTALLATION. ANY MATERIALS INSTALLED WITHOUT APPROVAL MAY BE REJECTED.
6. ALL GRASS, CLUMPS, OTHER VEGETATION, DEBRIS, STONES, ETC. SHALL BE RAKED OR OTHERWISE REMOVED FROM PLANTING AND LAWN AREAS PRIOR TO INITIATION OF INSTALLATION PROCEDURES.
7. ALL LAWN AREAS ON THIS PLAN SHALL BE GRADED SMOOTH AND TOPPED WITH AT LEAST 6" OF TOPSOIL. ALL LAWN AREAS TO BE ESTABLISHED USING SEED BLANKET UNLESS OTHERWISE NOTED. BLANKET TO BE S75 OR APPROVED EQUAL.
8. PLANTING SOIL DEPTHS, PROVIDE MINIMUM PLANTING DEPTHS AS FOLLOWS:
 - 8.1. TREE PLANTING - 18", SHRUB PLANTING - 18", TURF AREAS - 12".
 - 8.2. PLANTING SOIL AT ROOT BALL OF TREES - 36".
 - 8.3. OWNER REPRESENTATIVE TO APPROVE SPECIFIED SUBGRADE (SUBSOIL), MUST BE NATURALLY OCCURRING NATIVE SOIL MATERIAL MEETING PERCOLATION REQUIREMENTS, FREE OF GREY CLAY AND STONES GREATER THAN 1". REMOVE FOREIGN OBJECTS. BACKFILL TO MEET APPROVAL OF OWNER PRIOR TO INSTALLATION OF SPECIFIED PLANTING SOIL.
9. ALL PLANT MATERIAL SHALL BE PLANTED WITH A MINIMUM OF SIX INCHES OF ORGANIC SOIL AND MULCHED TO A MINIMUM 3" DEPTH. WOODY PLANTS WITH A SHREDDED BARK MATERIAL AND PERENNIAL PLANTINGS WITH SOIL AMENDMENT.
10. ALL PLANTINGS SHALL BE SPACED EQUAL DISTANT, BACK FILLED WITH AMENDED SOIL IN A HOLE TWICE THE ROOTBALL DIAMETER, WATERED, FERTILIZED, PRUNED, AND HAVE ALL TAGS AND ROPES REMOVED.
11. PLANTS TO BE PLANTED SO THAT ROOT FLARE IS AT THE GRADE OF THE AREA WHERE PLANTED. NO PRUNING TO BE DONE AT THE TIME OF INSTALLATION EXCEPT TO REMOVE DEAD OR BROKEN LIMBS. SEE LANDSCAPE DETAILS.
12. THIS LANDSCAPE PLAN ASSUMES THE SITE WILL BE PREPARED WITH TOP SOIL SUITABLE FOR THE ESTABLISHMENT OF THE LANDSCAPE MATERIAL PRESENTED ON THIS PLAN. IF ADDITIONAL TOP SOIL IS REQUIRED IT IS UP TO THE LANDSCAPE CONTRACTOR ON THE PROJECT TO PROVIDE, SPREAD AND PREPARE THE SITE AS NEEDED FOR THE IMPLEMENTATION OF THIS LANDSCAPE PLAN.
13. ALL PLANT MATERIALS SHALL CONFORM TO THE LATEST EDITION OF THE AMERICAN STANDARD FOR NURSERY STOCK AS PUBLISHED BY THE AMERICAN NURSERY & LANDSCAPE ASSOCIATION 1000 VERMONT AVENUE, NW, SUITE 300 WASHINGTON, DC 20005. WWW.ANLA.ORG. THE LANDSCAPE ARCHITECT HAS THE RIGHT TO REFUSE ANY POOR MATERIAL OR WORKMANSHIP.
14. ANY EXISTING TREES TO BE RETAINED SHALL BE PROTECTED FROM SOIL COMPACTION AND OTHER DAMAGES THAT MAY OCCUR DURING CONSTRUCTION ACTIVITIES BY ERECTING FENCING AROUND SUCH MATERIALS AT A DISTANCE OF 8.5' FROM THE TRUNK OR AT THE EXTENTS OF THE ESTABLISHED TREE DRIP LINE, WHICHEVER IS GREATER.
15. THE CONTRACTOR SHALL GUARANTEE PLANT MATERIALS FOR A PERIOD OF ONE YEAR FROM DATE OF ACCEPTANCE BY OWNER. THE CONTRACTOR SHALL OUTLINE PROPER MAINTENANCE PROCEDURES TO THE OWNER AT THE TIME OF ACCEPTANCE. DURING THE GUARANTEE PERIOD, DEAD OR DISEASED MATERIALS SHALL BE REPLACED AT NO COST TO THE OWNER. AT THE END OF THE GUARANTEE PERIOD THE CONTRACTOR SHALL OBTAIN FINAL ACCEPTANCE FROM THE OWNER.



EEA - P:\23121 - Hoffman Estates Park District - Triphahn Playground\Drawings\Triphahn Landscape Plan.dwg
 Plotted: 6/13/23 @ 10:14am By: jandersson

ERIKSSON
ENGINEERING
ASSOCIATES, LTD.
 145 COMMERCE DRIVE, SUITE A
 GRAYSLAKE, ILLINOIS 60030
 PHONE: (847) 223-4804
 FAX: (847) 223-4864
 EMAIL: INFO@EEA-LTD.COM
 PROFESSIONAL DESIGN FIRM
 LICENSE NO. 184-003220
 EXPIRES: 04/30/2025

HOFFMAN ESTATES PARK DISTRICT
TRIPHAWN PLAYGROUND
HOFFMAN ESTATES, IL 60169

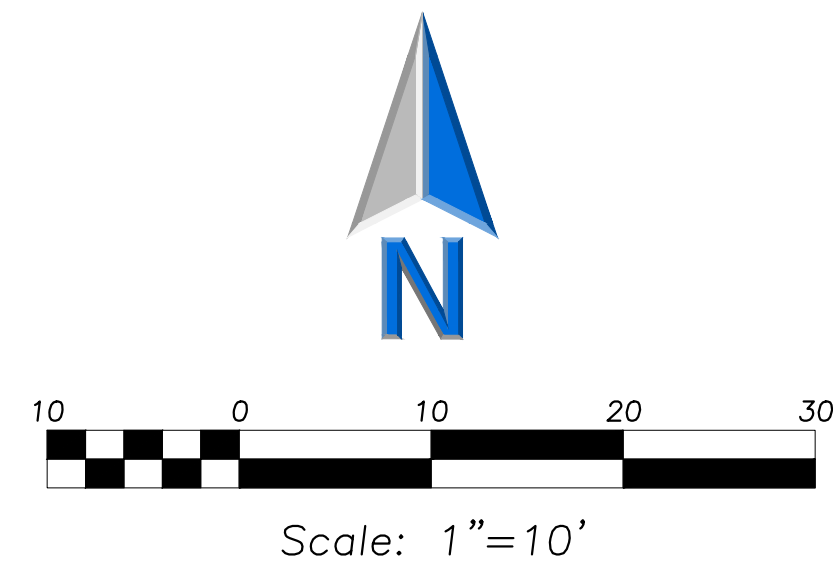
Reserved for Seal:

No.	Date	Description
1	xx/xx/xx	xxxxxxx

© ERIKSSON ENGINEERING ASSOCIATES, LTD. 2023
 THIS PLAN & RECORD ARE THE PROPERTY OF ERIKSSON ENGINEERING ASSOCIATES, LTD.
 NO REPRODUCTION OR USE FOR ANY OTHER PROJECT IS PERMITTED WITHOUT THE WRITTEN
 CONSENT OF ERIKSSON ENGINEERING ASSOCIATES, LTD.
 Design By: JJA Approved By: BA Date: 06/XX/23

Sheet Title:
SITE LANDSCAPE PLAN

Sheet No:
L1.0



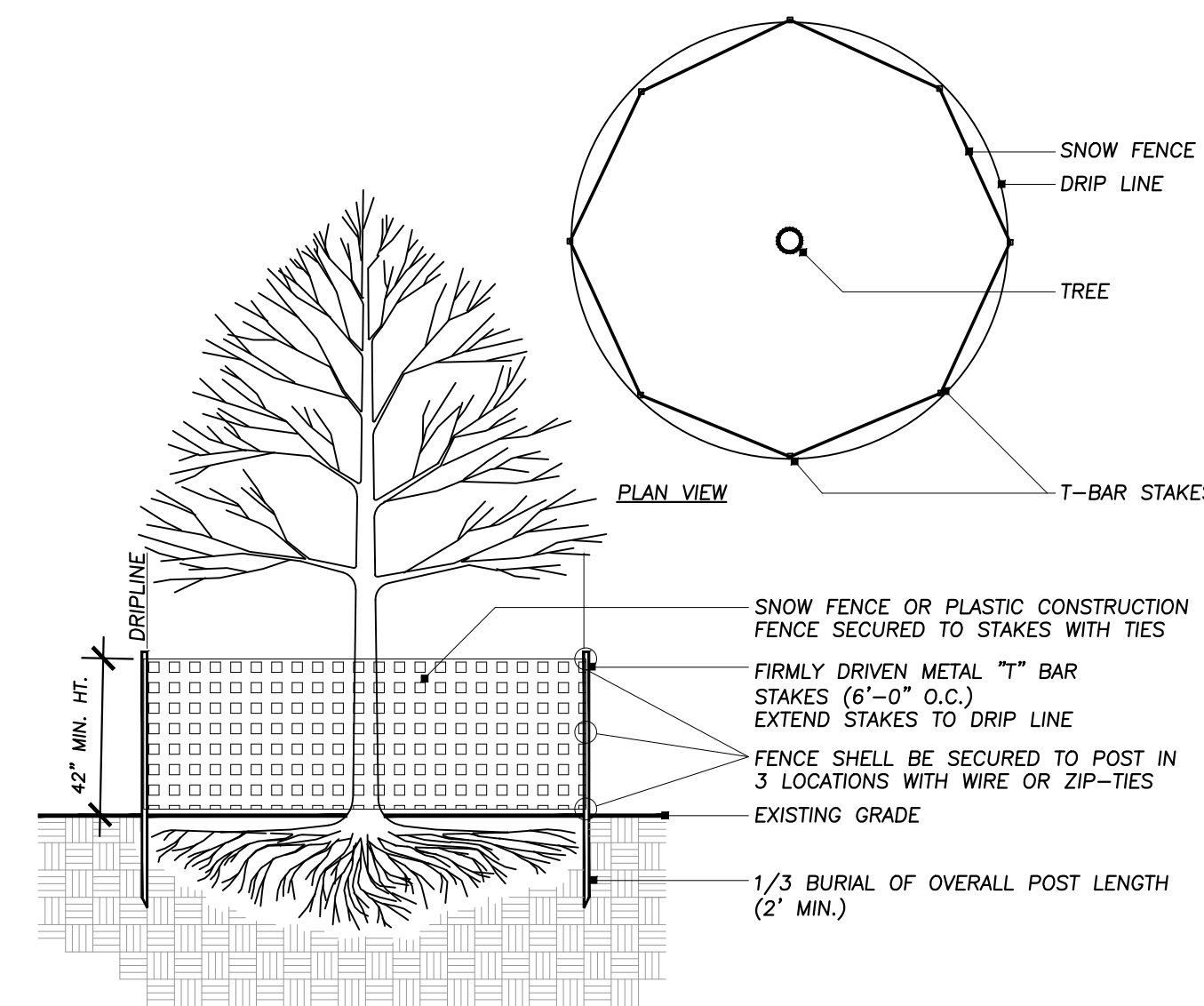


**ERIKSSON
ENGINEERING**

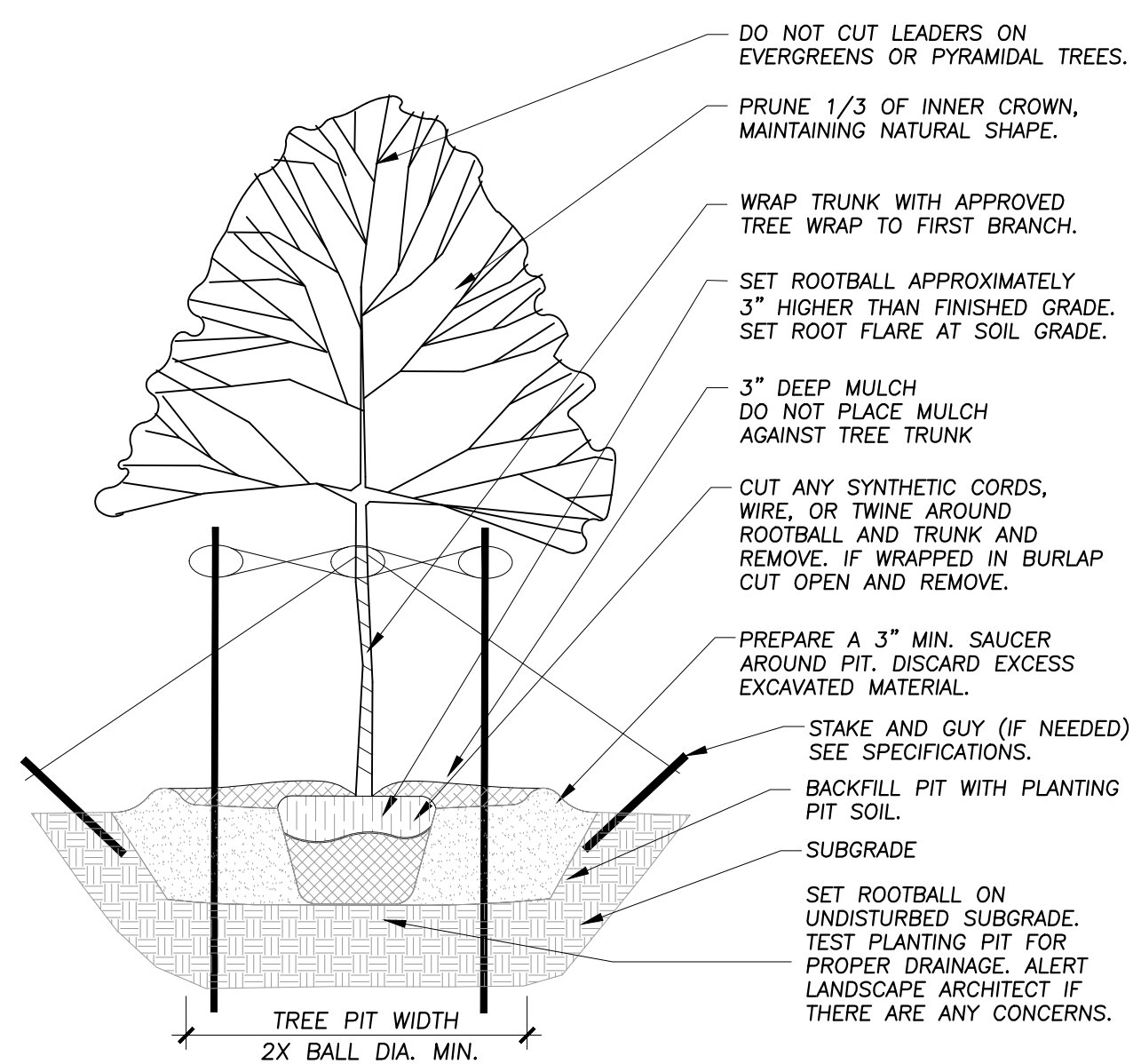
ASSOCIATES, LTD.

145 COMMERCE DRIVE, SUITE A
GRAYS LAKE, ILLINOIS 60030
PHONE: (847) 223-4804
FAX: (847) 223-4864
EMAIL: INFO@EEA-LTD.COM
PROFESSIONAL DESIGN FIRM
LICENSE NO. 184-003220
EXPIRES: 04/30/2025

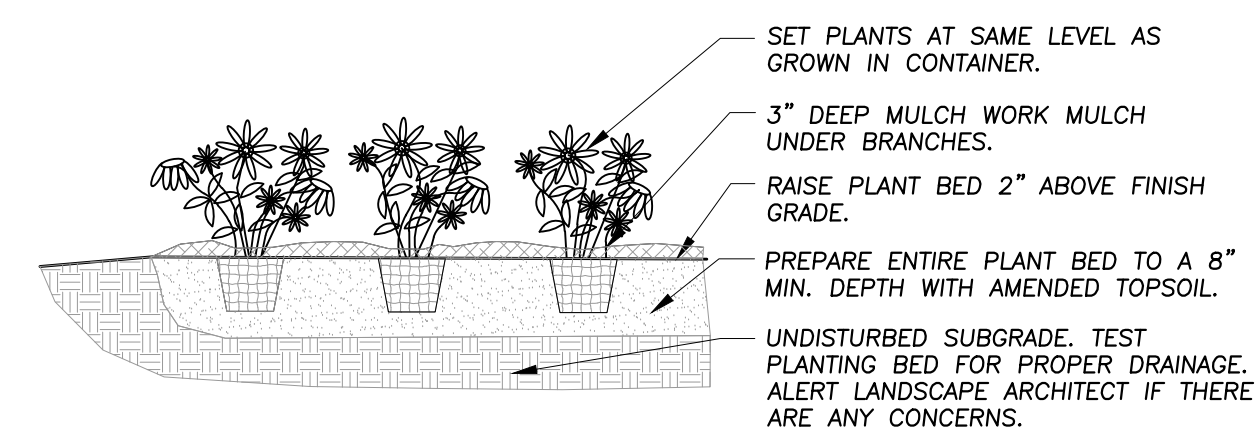
**HOFFMAN ESTATES PARK
DISTRICT**
TRIPHAWN PLAYGROUND
HOFFMAN ESTATES, IL 60169



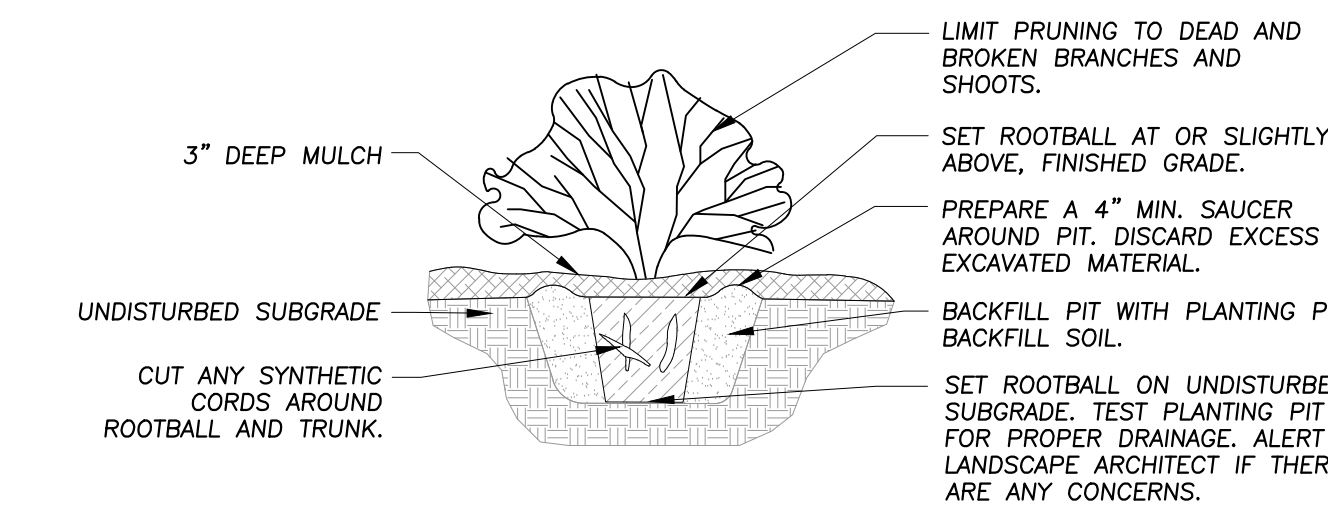
1 TREE PROTECTION DETAIL
Not To Scale 32 9383-01



2 TREE PLANTING DETAIL
Not To Scale 32 9343-01

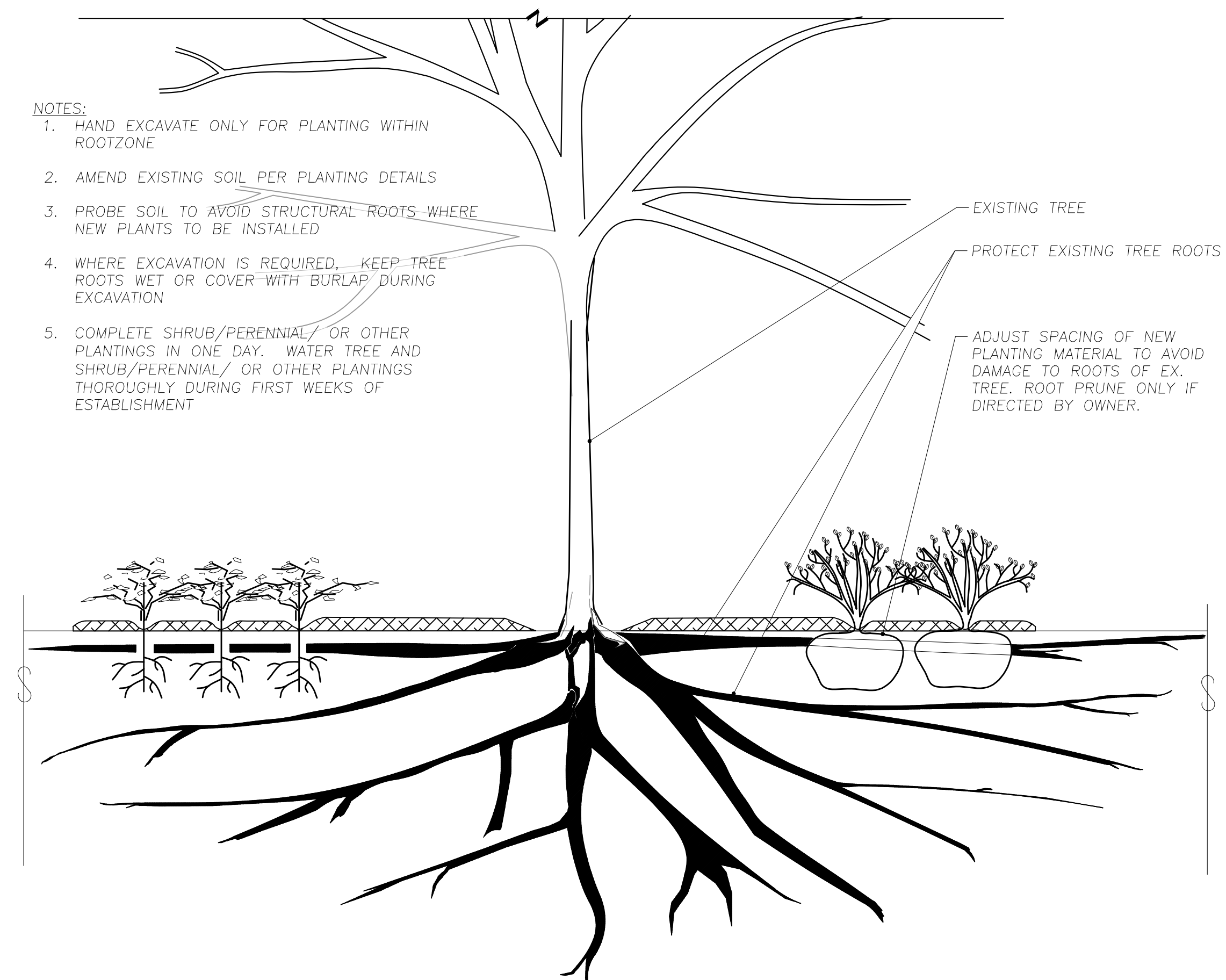


4 ANNUAL, PERENNIAL, & GROUND COVER DETAIL
Not To Scale P-446-03



5 PERENNIAL PLANTING LAYOUT
1/4" = 1'-0" 32 9301-09

3 SHRUB PLANTING DETAIL
Not To Scale P-446-04



6 PLANTING WITHIN ROOTZONE OF EXISTING TREE
NOT TO SCALE 32 9383-12

Reserved for Seal:

No.	Date	Description
1	XX/XX/XX	XXXXXXXX

© ERIKSSON ENGINEERING ASSOCIATES, LTD. 2023
THIS PLAN & RECORD ARE THE PROPERTY OF ERIKSSON ENGINEERING ASSOCIATES, LTD.
NO REPRODUCTION OR USE OF ANY PART OF THIS PLAN IS PERMITTED WITHOUT THE WRITTEN
CONSENT OF ERIKSSON ENGINEERING ASSOCIATES, LTD.
Design By: JJA Approved By: BA Date: 06/XX/23

Sheet Title:
**LANDSCAPE
DETAILS**

Sheet No:
L2.0

COLOR KEY

- BROWN
- TAN
- LIME
- BROWN/TAN



3D Designer: Heidi



FORMIS™ CLIMBER



JUNGLE VINE CLIMBER



VELO™ SLIDE



CRESCENT RAINDROPS PANEL



BEE PANEL



CARGO NET CLIMBER



MONACO™ SLIDE

Project Type (From ab	Project Category (From Above)	Media File #/Name	Project Category Cost	ADA Portion of Project Cate	% ADA Dollars Requested
Routes & Surfaces	Surfaces		200000	74875	37.44%
					#DIV/0!
					#DIV/0!
					#DIV/0!
					#DIV/0!
					#DIV/0!
					#DIV/0!
					#DIV/0!
					#DIV/0!
					#DIV/0!
					#DIV/0!
					#DIV/0!
					#DIV/0!
					#DIV/0!
					#DIV/0!
					#DIV/0!
					#DIV/0!
					#DIV/0!
					#DIV/0!
					#DIV/0!
					#DIV/0!
					#DIV/0!
					#DIV/0!
					#DIV/0!
	Total Project Cost		200000		
	Total ADA Portion of Project Cost		74875		
	Total % of ADA Dollars Requested		37.44%		