

Title	<b>Pavilion Aquatics and Rainbow Falls Aquatic Center</b>	12/17/2024
	by <b>Mark Kosbab</b> in <b>Member District ADA Project Request</b>	id. 49121610
	499 Biesterfield Road Elk Grove Village, Illinois 60007 United States 8472287911 mkosbab@elkgroveparks.org	

<b>Original Submission</b>	12/17/2024
----------------------------	------------

Score	n/a
Name	Mark Kosbab
Job Title	Director of Parks & Planning
E-mail Address	mkosbab@elkgroveparks.org
Phone Number	8472287911
Park District	Elk Grove
Project Location	Pavilion Aquatics and Rainbow Falls Aquatic Center
Project Status	Maintenance
Project Type	Routes and Surfaces
Routes and Surfaces- select a Project Category below:	Platforms and Lifts
Benefits of the Project	2 inoperable chair lifts were replaced to assist people with mobility issues gain access to the pools. One lift at Pavilion Aquatics and one at Rainbow Falls Aquatic Center.
Items that will become ADA Compliant	Pool chair lifts

The project is designed or constructed, or applies human resources, to comply with:

The Illinois Accessibility Code  
The 2010 Standards for Accessible Design

---

Upload Project Related Files, Photos, Videos or Audio

[INV03177-F-REVXL-SPEC-1.pdf](#)

[INV01513-F-ADMRL-SPEC.pdf](#)

[101-Mobility\\_invoice\\_2.20.24.pdf](#)

---

Budget Table for ADA Related Expenses

[Budget Table.xlsx](#)

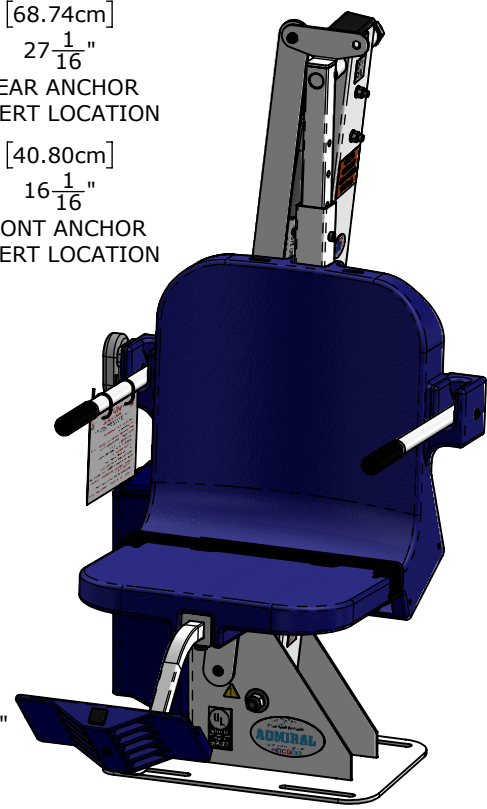
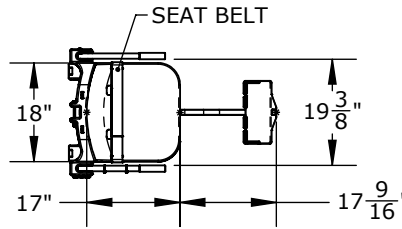
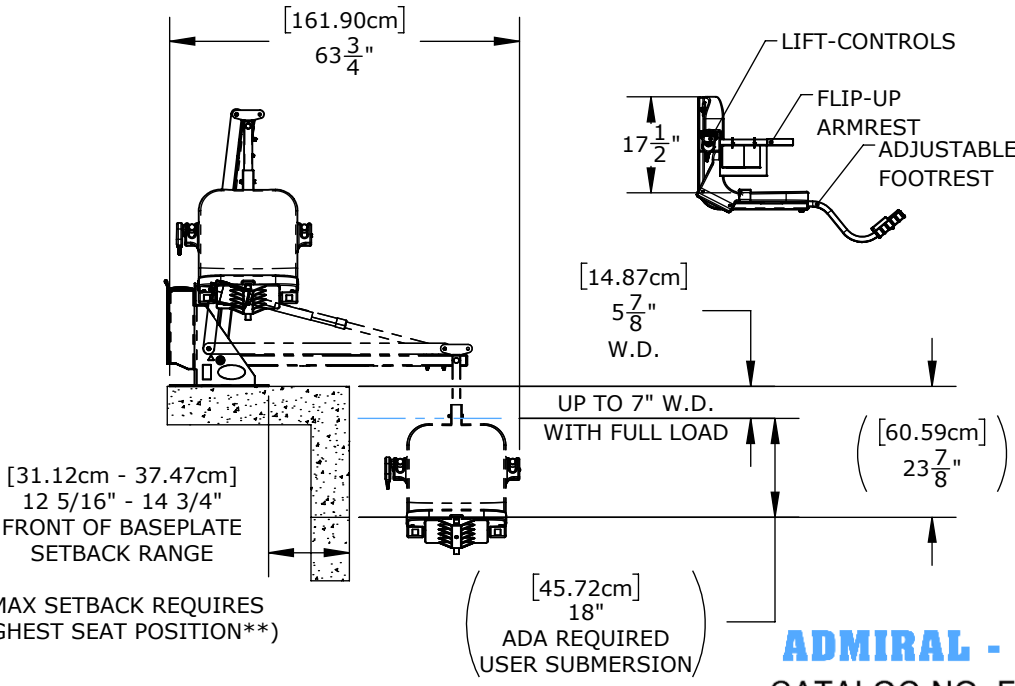
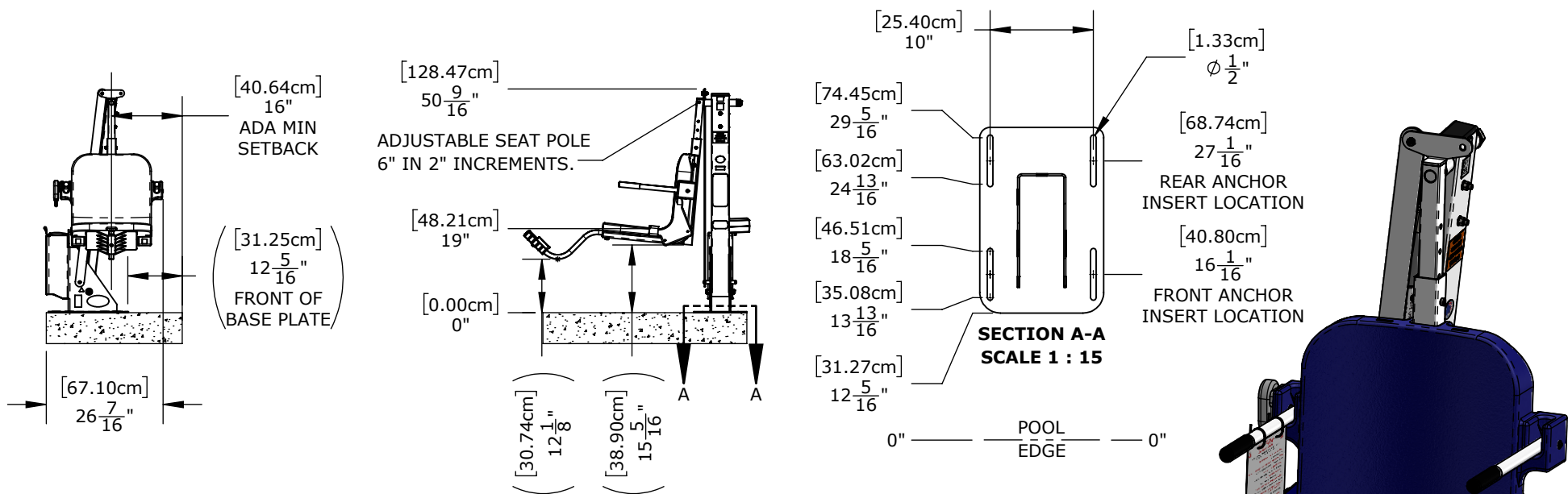
---

ADA Dollars Requested	16000
-----------------------	-------

---

Notes related to requested amount

---



**FEATURES:**

- ◆ UL CERTIFIED ◆ ADA COMPLIANT ◆ 450 LB. (204 KG.) WEIGHT CAPACITY ◆ ANCHOR SETBACK RANGE 13 3/4" TO 20 3/4" (35 - 52 cm) ◆ FIELD REVERSIBLE ◆ ADJUSTABLE BASE PLATE ◆ FLIP UP ARMREST ◆ ALL STAINLESS STEEL CONSTRUCTION ◆ DURABLE POWDER COAT FINISH ◆ RECHARGEABLE BATTERY & WALL MOUNT CHARGER ◆ FIVE YEAR STRUCTURAL WARRANTY ◆ FIVE YEAR PRO-RATED ELECTRONICS WARRANTY

CLICK HERE TO VIEW THIS PRODUCT:  
[HTTPS://AQUACREEKPRODUCTS.COM/](https://aquacreekproducts.com/)

**ADMIRAL - BLUE**  
CATALOG NO. F-ADMRL  
PART NO. INV01513

\*\*SEAT POSITIONS ABOVE 19" NOT ADA COMPLIANT.  
SEE OWNER'S MANUAL FOR DETAILS



9889 GARRYMORE LANE  
MISSOULA, MT 59808  
(406) 549-0769  
FAX (406) 549-2602  
[www.AquaCreek.com](http://www.AquaCreek.com)

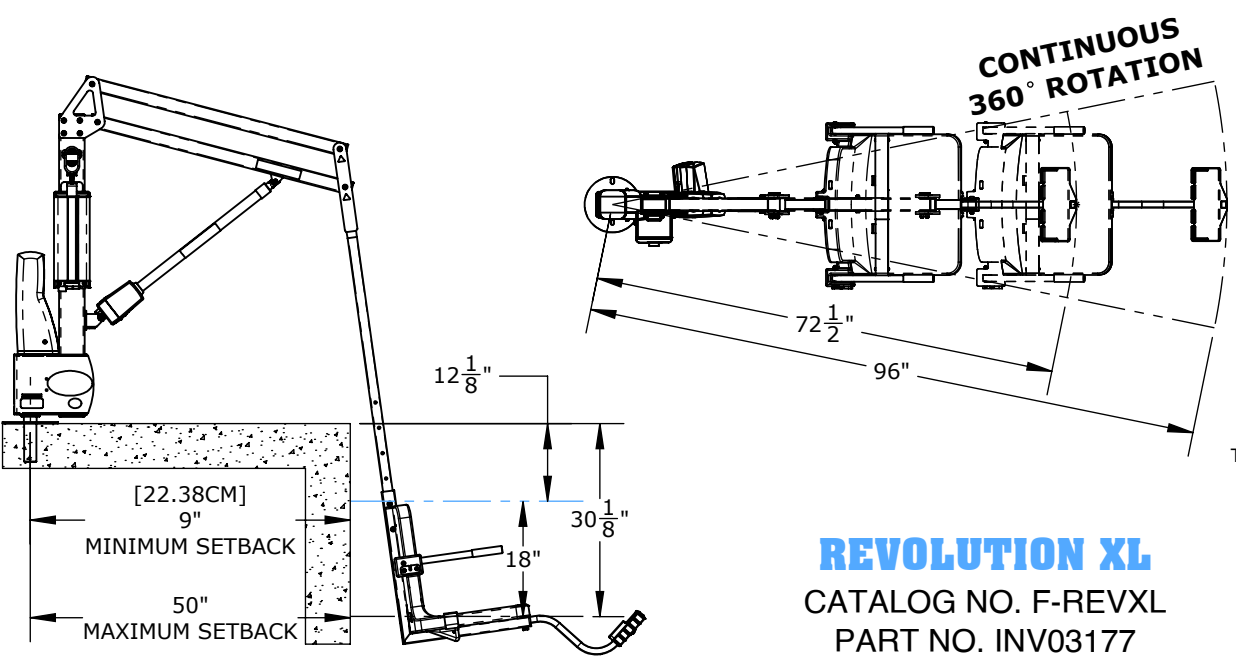
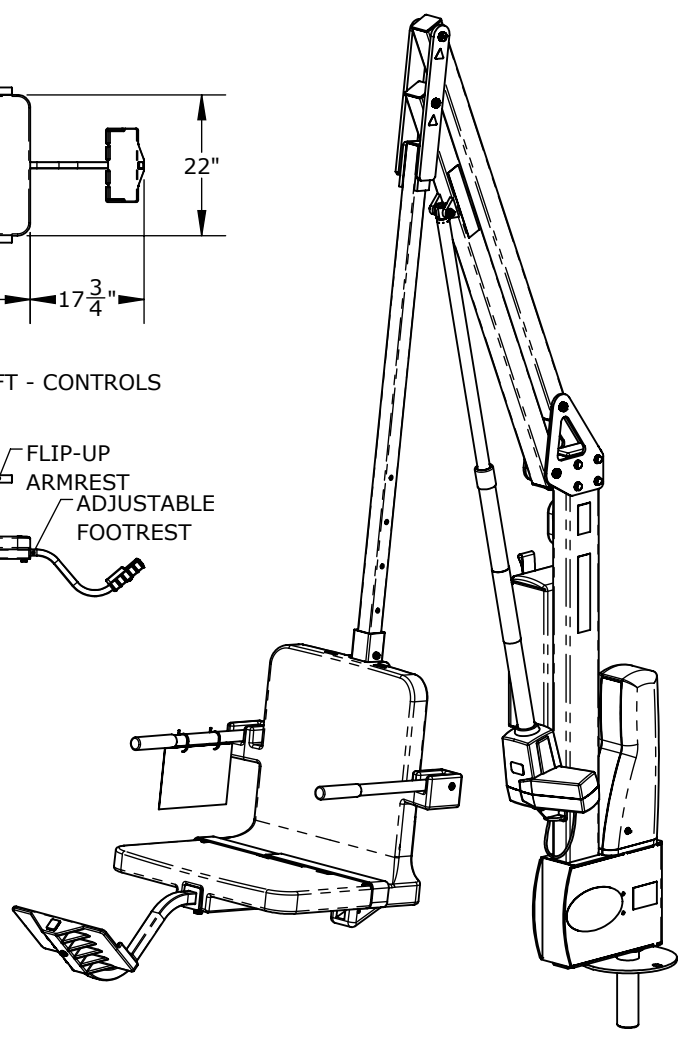
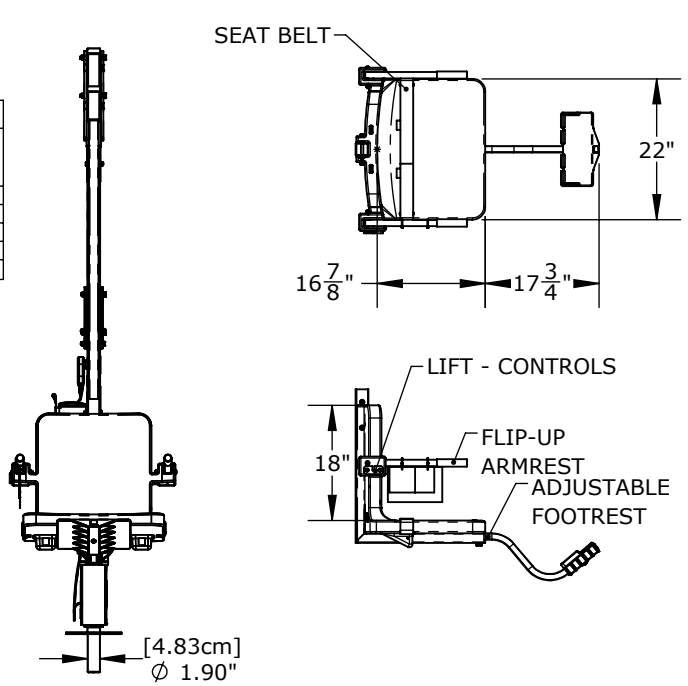
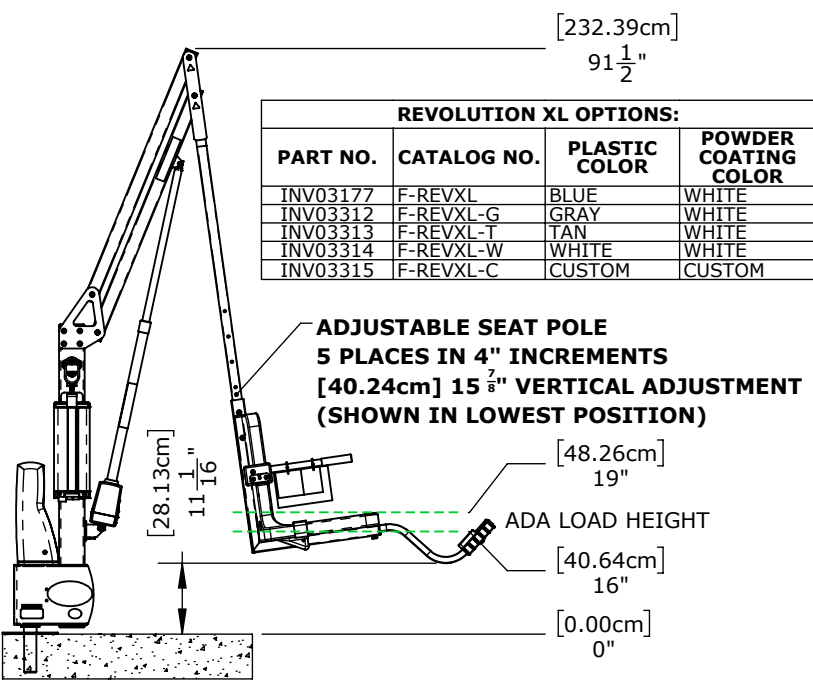
**PROPRIETARY AND CONFIDENTIAL INFORMATION**

THIS DRAWING AND ALL INFORMATION CONTAINED HEREIN IS THE SOLE PROPERTY OF AQUA CREEK PRODUCTS LLC. ANY REPRODUCTION IN PART OR AS A WHOLE WITHOUT WRITTEN PERMISSION FROM AQUA CREEK IS PROHIBITED.

\*SPECIFICATIONS ARE SUBJECT TO CHANGE WITHOUT NOTICE

DIMENSIONS ARE IN INCHES  
UNLESS OTHERWISE SHOWN  
FRACTIONAL: ..... ±1/16  
ANGULAR: ..... ±1°  
TWO PLACE DECIMAL: ... ±.01  
THREE PLACE DECIMAL: .. ±.005

MATERIAL: 304 STAINLESS STEEL  
FINISH: POWDER COAT - WHITE  
APPROX. WEIGHT: 117.07 LBS.



**REVOLUTION XL**  
CATALOG NO. F-REVXL  
PART NO. INV03177

**FEATURES**

- ◆ UL CERTIFIED ◆ 500 LB. (226 kg.) WEIGHT CAPACITY ◆ SETBACK RANGE 9" TO 50" (22 - 127 cm) ◆ CLEARANCES VARY BY WALL HEIGHT & WIDTH ◆ WATER DRAFT 13" ◆ 360° ROTATION ◆ FLIP UP ARMREST ◆ ALL STAINLESS STEEL CONSTRUCTION ◆ DURABLE POWDER COAT FINISH ◆ RECHARGEABLE BATTERY & WALL MOUNT CHARGER ◆ FIVE YEAR STRUCTURAL WARRANTY ◆ FIVE YEAR PRO-RATED ELECTRONICS WARRANTY

**CLICK HERE TO VIEW THIS PRODUCT:**  
<https://aquacreekproducts.com>



9889 GARRYMORE LANE  
MISSOULA, MT 59808  
(406) 549-0769  
FAX (406) 549-2602  
www.AquaCreek.com

PROPRIETARY AND CONFIDENTIAL INFORMATION

THIS DRAWING AND ALL INFORMATION CONTAINED HEREIN IS THE SOLE PROPERTY OF AQUA CREEK PRODUCTS LLC. ANY REPRODUCTION IN PART OR AS A WHOLE WITHOUT WRITTEN PERMISSION FROM AQUA CREEK IS PROHIBITED.

\*SPECIFICATIONS ARE SUBJECT TO CHANGE WITHOUT NOTICE

DIMENSIONS ARE IN INCHES  
UNLESS OTHERWISE SHOWN  
FRACTIONAL: ..... ±1/16  
ANGULAR: ..... ±1°  
TWO PLACE DECIMAL: .... ±.01  
THREE PLACE DECIMAL: .. ±.005

MATERIAL: 304 STAINLESS STEEL  
FINISH: POWDER COAT - WHITE  
APPROX. WEIGHT: 192.84 LBS.

